

Installation Instructions

LSM PF - Lift System Medium Push Flap

Design Highlights

- Quiet Smooth Action at Approximately 40mm [1.6"] per Second
- Full Cable Management
- Wide Range of Mounting Options
- 24V DC Motor. Suitable for Direct DC Supply
- Marine Suitable Robust Beam



Thank you for choosing
futureautomation

LSM PF - Lift System Medium Push Flap



Caution
Warning



Beware of
Moving Parts



Danger
Electricity



Keep Hands
Clear

Safety Disclaimer

Important Safety Instructions

Explanation of graphical symbols

-(Electric Shock Symbol) = The lightning flash within an equilateral triangle is intended to alert you to the presence of un-insulated "dangerous voltage" within the products enclosure that may be of sufficient magnitude to constitute an electric shock to persons

-(Caution Symbol) = The exclamation point within an equilateral triangle is intended to alert you to the presence of important operating and maintenance (servicing) instructions in the literature accompanying the product

-(Tools Symbols) = The tools symbol within a coloured square are intended to highlight the required tools necessary for correct and safe installation of the product. These are intended as a guide only, and it is at the installer's discretion as to which tools are used.

WARNING: RISK OF ELECTRIC SHOCK, ONLY AUTHORIZED INSTALLERS TO OPEN THE POWER CONTROL BOX.

WARNING: To reduce the risk of fire or electric shock, do not expose electrical parts to rain or moisture, unless the product has been specifically designed to do so.

WARNING: Failure to provide adequate structural strengthening, prior to installation can result in serious personal injury or damage to the equipment. It is the installer's responsibility to ensure the structure to which the component is affixed can support the four times the weight of the component.

WARNING: Do not exceed the weight capacity. This can result in serious personal injury or damage to the equipment. It is the installer's responsibility to ensure that the total combined weight of all attached components does not exceed that of the maximum figure stated.

WARNING: Failure to provide adequate structural strength for this component can result in serious personal injury or damage to equipment! It is the installer's responsibility to make sure the structure to which this component is attached can support five times the combined weight of all equipment. Reinforce the structure as required before installing the component.

Warnings:

1. **Read all technical instructions fully before installation and use. It is the installer's responsibility to ensure that all documentation is passed on to the end user and read fully before operation.**
2. **Keep all documentation.**
3. **Heed all warnings.**
4. **Follow all technical specifications and instructions during installation.**
5. **Do not use near water unless the product has been specifically designed to do so.**
6. **Clean only with a dry cloth.**
7. **Do not defeat the purpose of the polarized or grounding type plug. A polarized plug has two blades, one wider than the other. A grounding type plug has two blades and a grounding prong. The wide blade or third prong are provided for your safety. If the provided plug does not fit your outlet, consult an electrician or contact the manufacturer.**
8. **Protect the power cord from being walked on or pinched, particularly at plugs, convenience receptacles, and the point where the exit from the apparatus.**
9. **Unplug the apparatus during lightning storms or when unused for long periods of time.**
10. **Only use attachments/accessories specified by the manufacturer.**
11. **Refer all servicing to qualified personnel. Servicing is required regularly on an annual basis, when the apparatus is damaged in any way, liquid has been spilled or objects have fallen into the apparatus, the apparatus has been exposed to rain or moisture, does not operate normally, or has been dropped.**
12. **To completely disconnect the apparatus from the AC mains, disconnect the power cord plug from the AC receptacle on the power control box.**
13. **To prevent overheating, do not cover the apparatus. Install in accordance with the instructions.**
14. **UK, Ireland and Hong Kong only – The power cord is supplied with a 13A plug having an earthing pin. The apparatus is earthed and this pin is not required for safety, merely to operate the safety shutter of mains outlet.**
15. **No naked flames such as lit candles should be placed on the unit.**
16. **Observe and follow the local regulations when disposing of batteries.**
17. **Do not expose the unit to dripping or splashing fluids.**
18. **Do not place objects filled with liquid, such as vases, on the unit.**
19. **Do not expose the batteries to excessive heat such as sunshine, fire or the like.**
20. **For all mounted apparatus, the apparatus should be installed on solid wood, bricks, concrete or solid wood columns and battens.**
21. **Always turn off power at source before putting on or taking off parts and cleaning.**
22. **Do not use outdoors unless marked for outdoor use.**
23. **Exceeding the weight capacity can result in serious personal injury or damage to equipment.**

Future Sound & Vision trading as Future Automation intend to make this and all documentation as accurate as possible. However, Future Automation makes no claim that the information contained herein covers all details, conditions or variations, nor does it provide for every possible contingency in connection with the installation or use of this product. The information contained in this document is subject to change without prior notice or obligation of any kind. Future Automation makes no representation of warranty, expressed or implied, regarding the information contained herein. Future Automation assumes no responsibility for accuracy, completeness or sufficiency of the information contained in this document.

LSM PF - Lift System Medium Push Flap

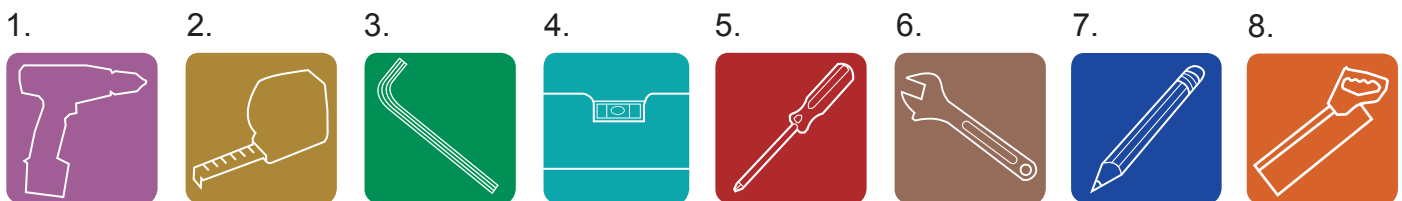
Contents	Page
Introduction	
Safety Information	1
Contents	2
Contents	3
Tool Indicator Icons	3
Installation	
Parts List	
Package Contents	4
Stage 1	
Before You Start	5
Stage 2	
Remove KH Screen Mount	6
Stage 3	
Fixing the Lift in the Cabinet	7
Stage 4	
Mounting the Base Panel	8
Stage 5	
KH Mount Assembly	9
Stage 6	
Attaching the KH Upright & Routing Cables	10
Stage 7	
Screen Mounting & Flap Push Roller Adjustment	11
Stage 8	
Switch Adjustments	12
Electrical Connections	
Contact Closure	13
RS232 Controls	14
IR Controls	15
Operations	
IR Control & Operation	15
Storing Positions	15
Changing Batteries	15
Trouble Shooting	16
Technical Overview	17
Notes	18

LSM PF - Lift System Medium Push Flap

Contents

Page

Tool Indicator Icons



1. - Drill

2. - Tape measure

3. - Allen Keys

4. - Spirit Level

5. - Screwdrivers

6. - Spanners

7. - Pencil

8. - Saw

Product Warranty

This product carries a warranty that covers the cost of labour and spare parts incurred by any defects in materials and workmanship under normal use during a two year period from date of purchase. Support for any problems that are not hardware faults are excluded from the warranty entitlement. This warranty does not affect your statutory consumer rights.

The following is excluded from warranty service:

- Malfunctioning caused by misuse or damage, accidental or otherwise, or service modification by persons not authorised by Future Automation, or the use of any non Future Automation supplied parts;
- Any electrical, or other environmental work external to your Future Automation mechanism including power cuts, surges or lightning strikes;
- Additional items not supplied by Future Automation although they may have been supplied together by the retailer;
- Any 3rd party software products controlling your mechanism;
- Any transfer of ownership. Warranty is provided only to the initial purchaser;
- Compensation for loss of use of the product, and consequential loss of any kind;
- Use of the product over the specified weight capacity;
- Any damage to products during transit that is not checked and notified as "unchecked" or "damaged" upon receipt of delivery.

Any part of your system that needs to be replaced during a warranty repair becomes the property of Future Automation.

LSM PF - Lift System Medium Push Flap

Package Contents

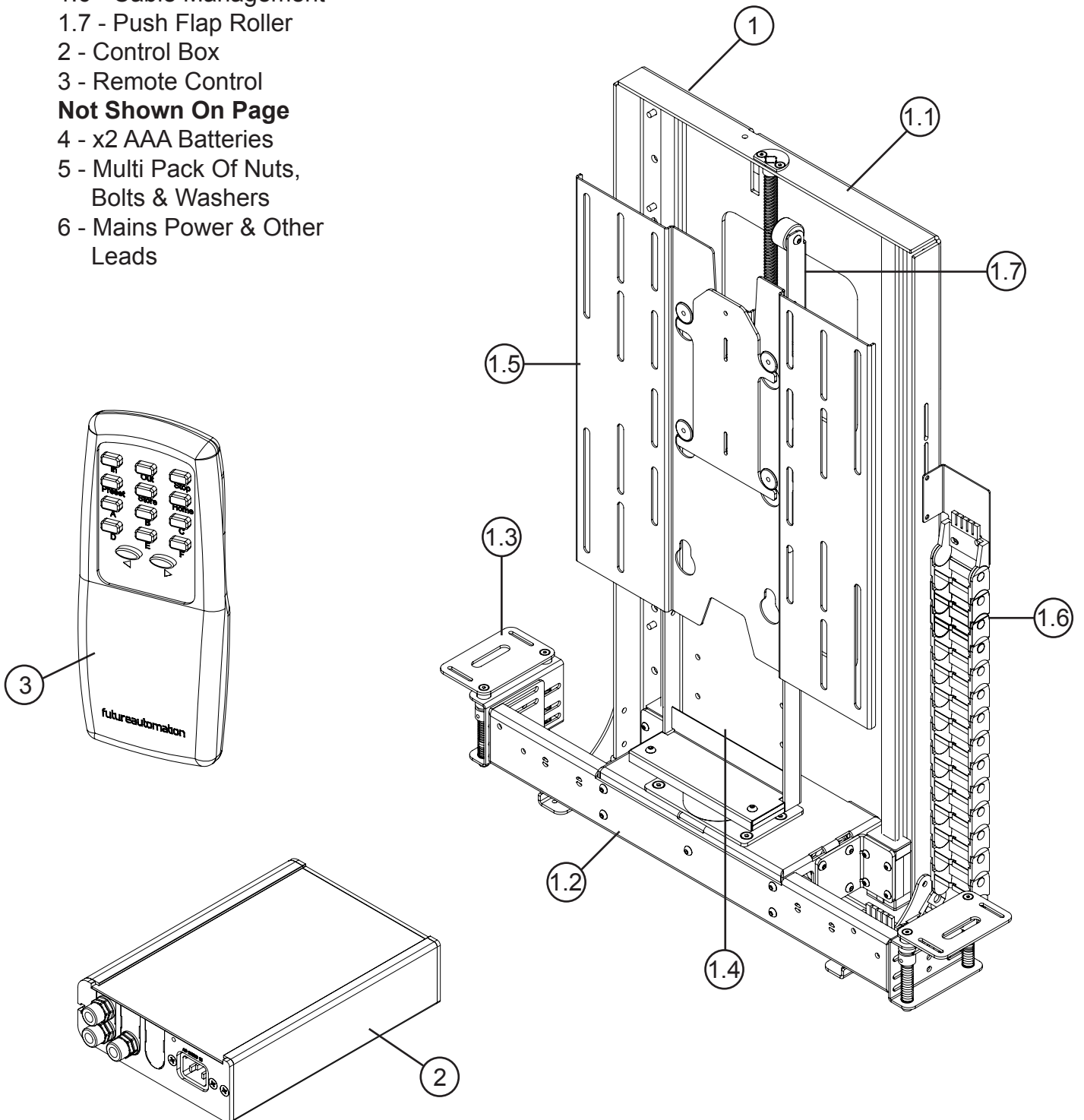
- 1 - Mechanism
- 1.1 - Back Plate
- 1.2 - Lifting Beam
- 1.3 - Base Panel Brackets
- 1.4 - KH Mount Upright
- 1.5 - Screen Mount
- 1.6 - Cable Management
- 1.7 - Push Flap Roller
- 2 - Control Box
- 3 - Remote Control

Not Shown On Page

- 4 - x2 AAA Batteries
- 5 - Multi Pack Of Nuts, Bolts & Washers
- 6 - Mains Power & Other Leads

Nuts & Bolts Multipack:

A range of nuts, bolts, washers and spacers to help add in the mounting for your screen



LSM PF - Lift System Medium Push Flap



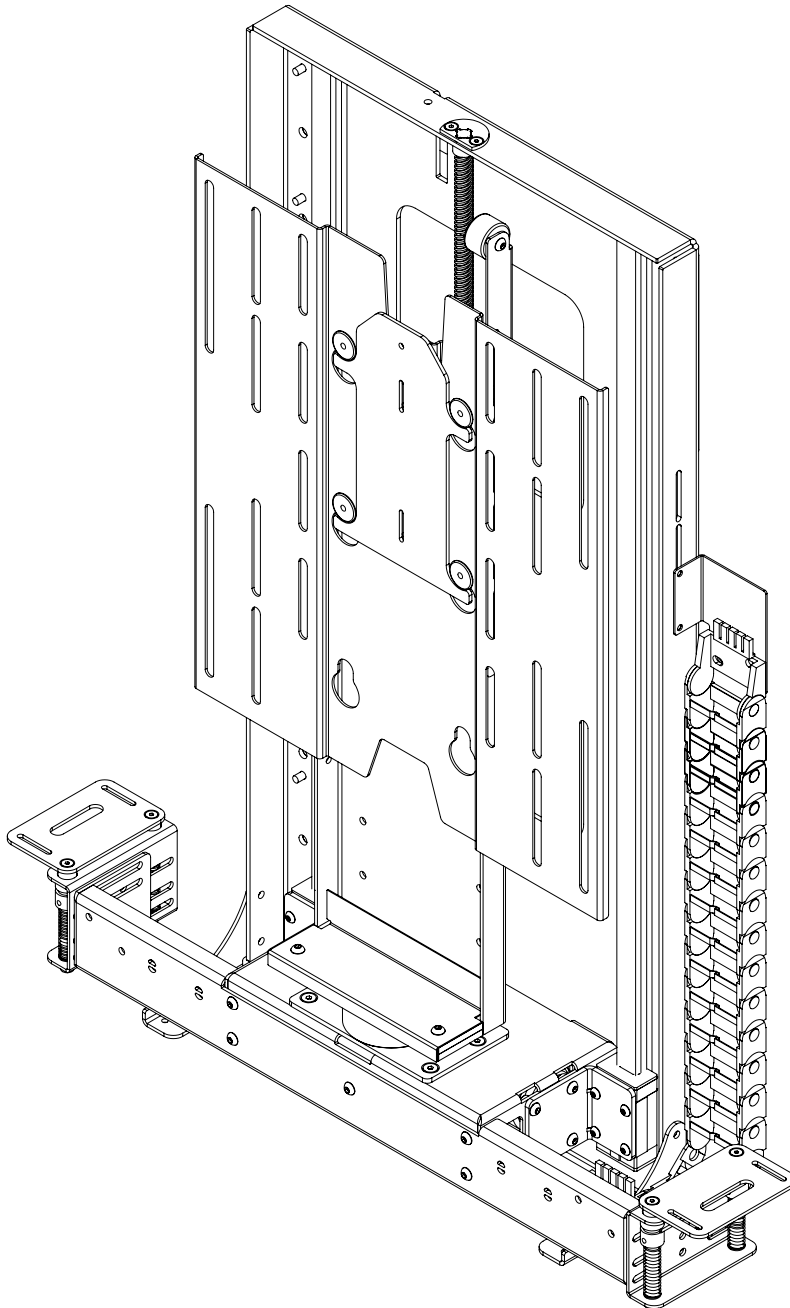
Before You Start

Check the Operation of the Mechanism.

Firstly, remove all the red cable ties which keep the mechanism safe and secure during transit.

Once they have all been removed, the mechanism can be powered up and tested.

Connect the supplied IR lead and check that the mechanism operates correctly before continuing with the installation.

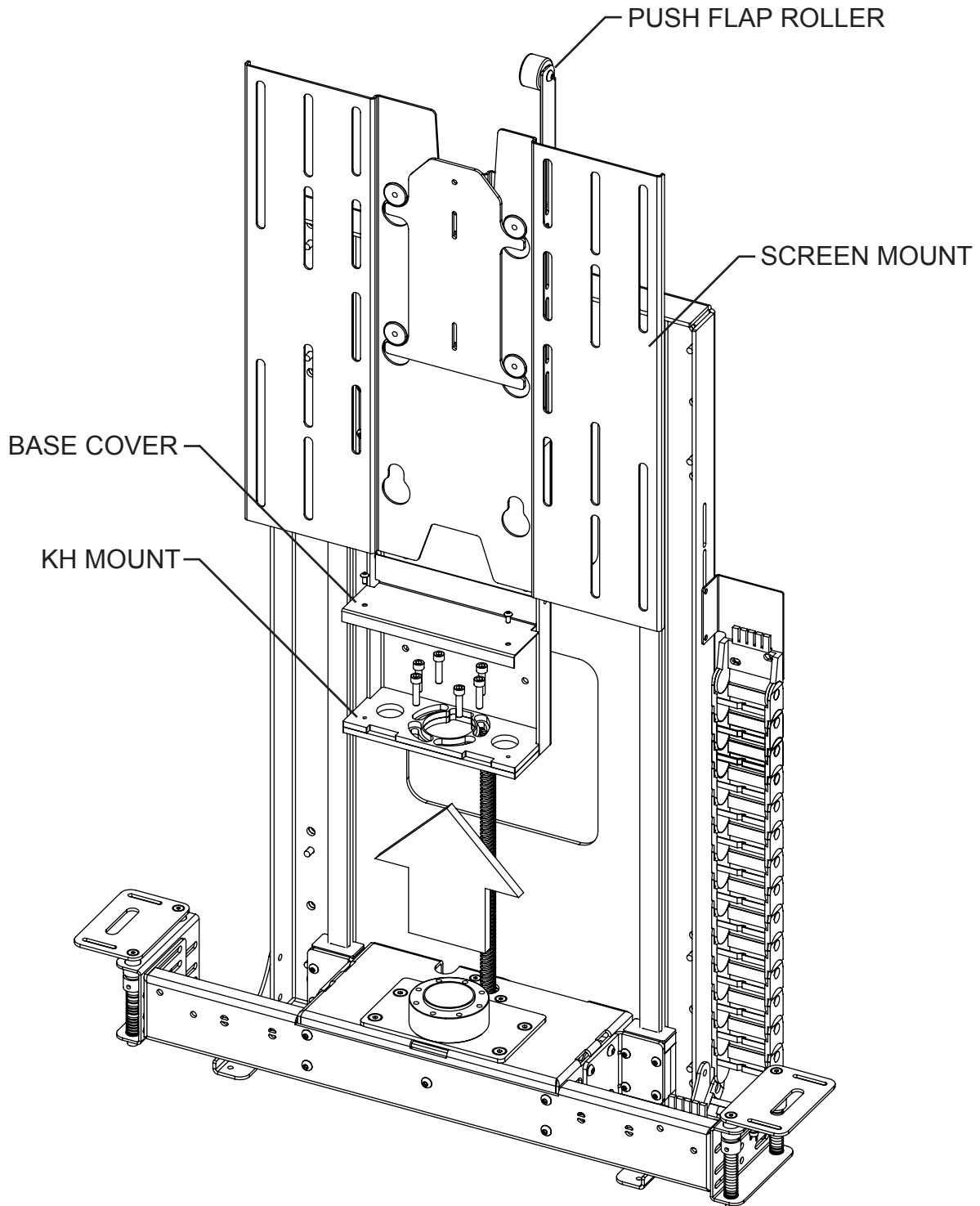


LSM PF - Lift System Medium Push Flap



Remove KH Screen Mount

Take the BASE COVER off by removing the button head bolts holding it in place. Then you can remove the cap head bolts to release the KH MOUNT from the mechanism.

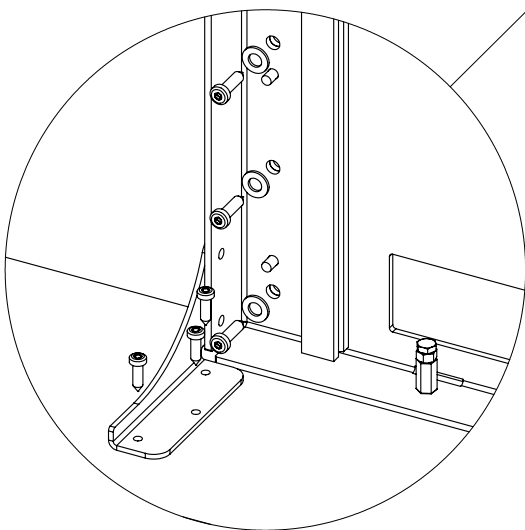
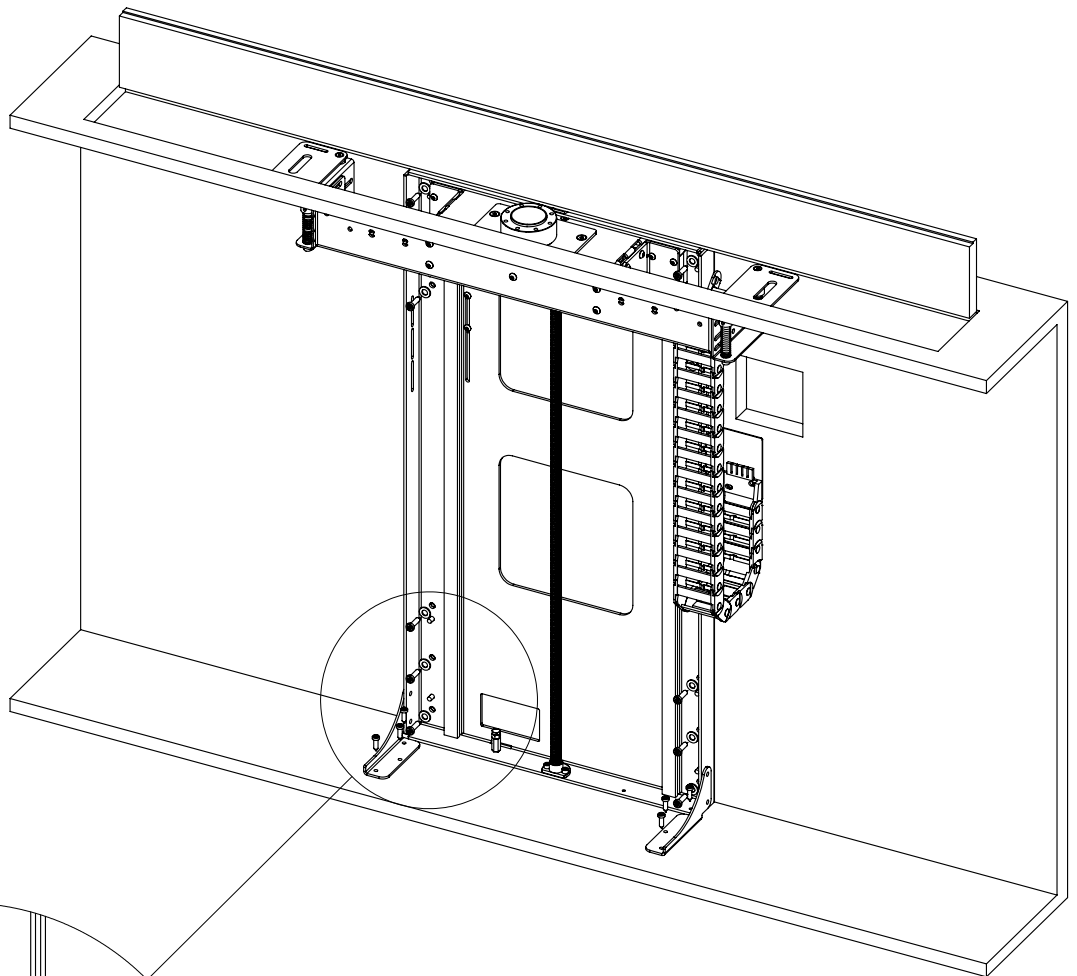


LSM PF - Lift System Medium Push Flap



Fixing the Lift in the Cabinet

Place the mechanism centrally within the cabinet. Fix the lift where shown in all corners.

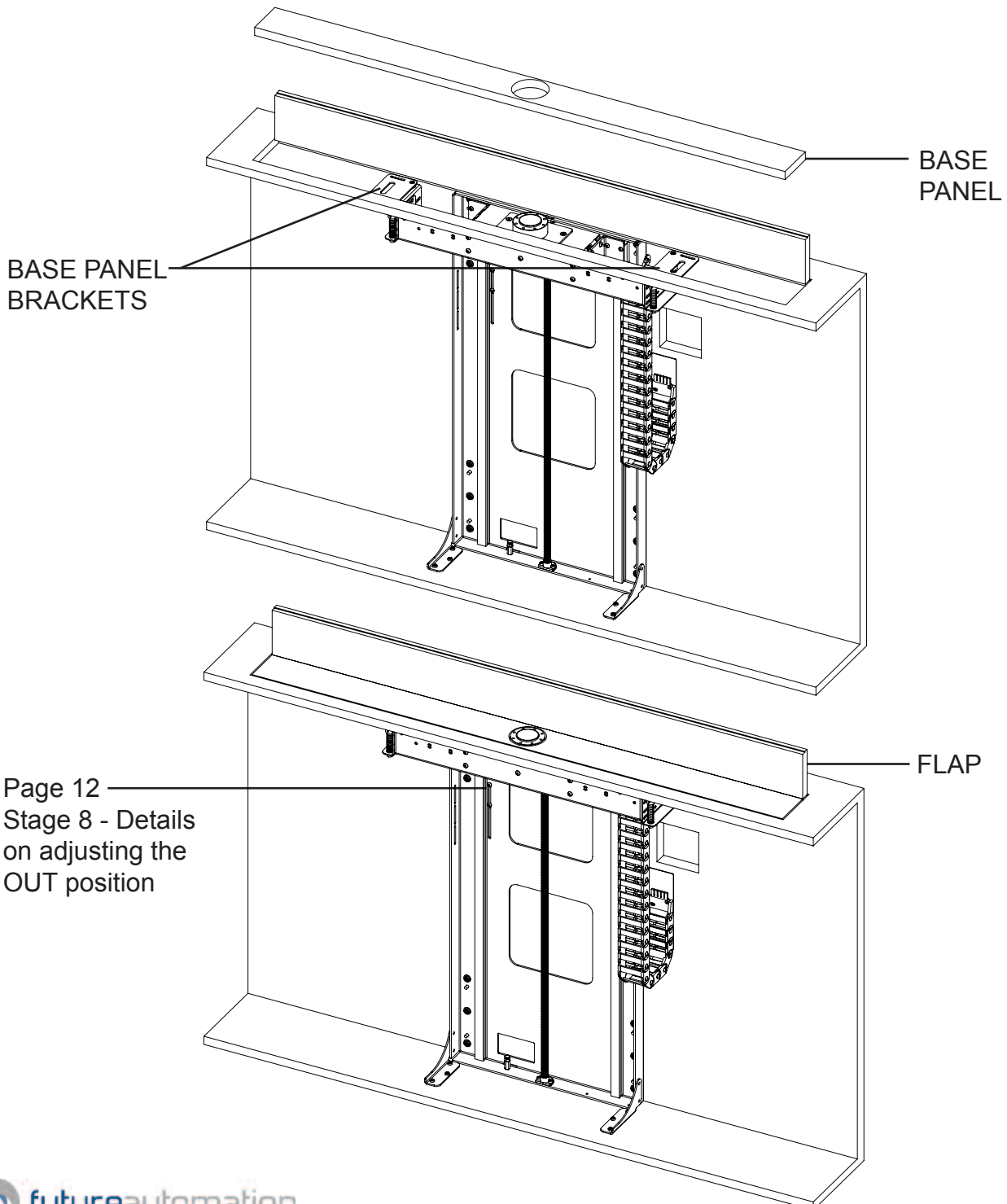


LSM PF - Lift System Medium Push Flap



Mounting the Base Panel

After the mechanism is in the correct position the next step is to lower the BASE PANEL into place and fix from the underside through the BASE PANEL BRACKETS. A good tip is to place the BASE PANEL in place and draw marks from the underside through the BASE PANEL BRACKETS, then fix using a wood screw and a large penny washer, this will allow you to adjust the position.

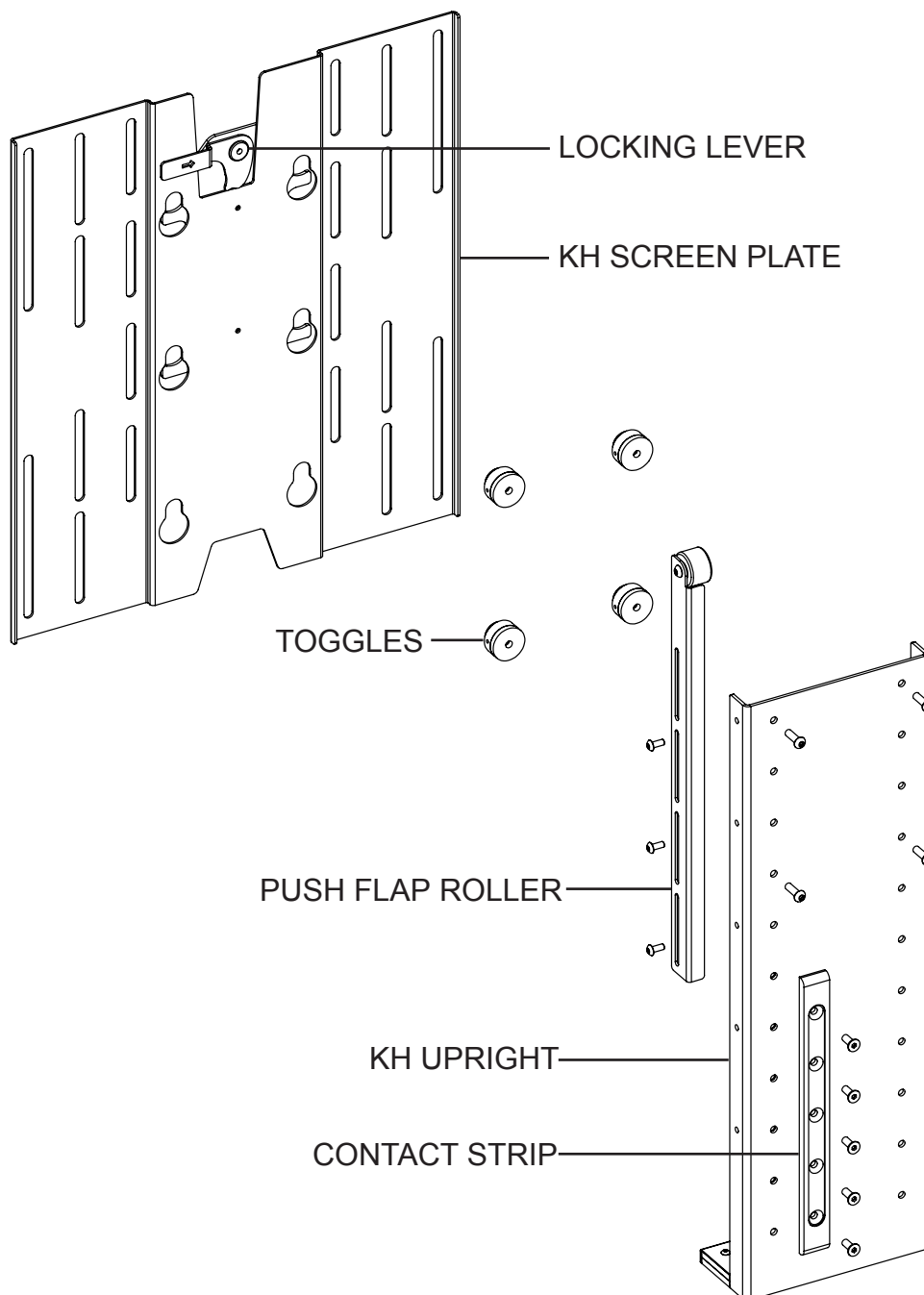


LSM PF - Lift System Medium Push Flap



KH Mount Assembly

Below shows the KH upright assembly. To release the SCREEN MOUNT PLATE rotate the top LOCKING LEVER and lift off the TOGGLES. The TOGGLES can adjust the height by moving up or down the KH UPRIGHT. The flap push rod secure on to the side on the KH upright and can adjust in height to suit different screens. On the rear of the KH UPRIGHT is CONTACT STRIP which keeps the flap from catching on PUSH FLAP ROLLER and TOGGLE bolts.

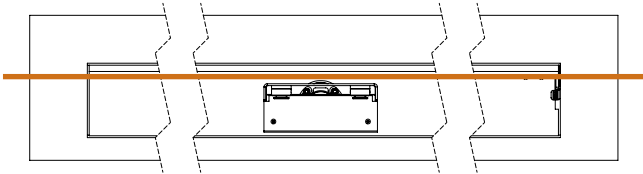


LSM PF - Lift System Medium Push Flap

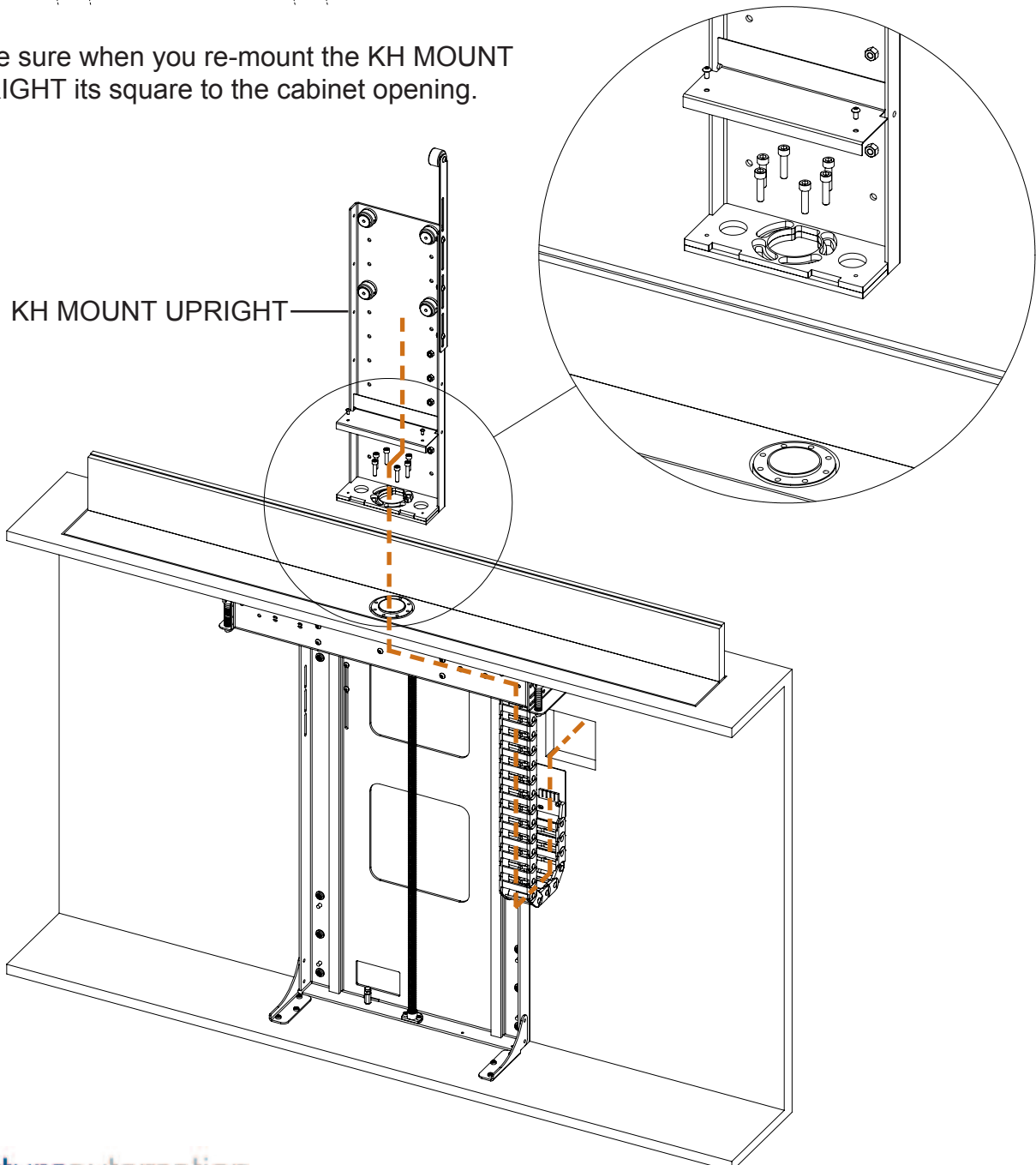


Attaching the KH Upright & Routing Cables

With the screen plate removed, attach the KH Upright back on to the mechanism the same way it was removed. Thread the screen and power cables through the cable management chain and then through the lifting beam shown with the dotted line.



Make sure when you re-mount the KH MOUNT UPRIGHT its square to the cabinet opening.

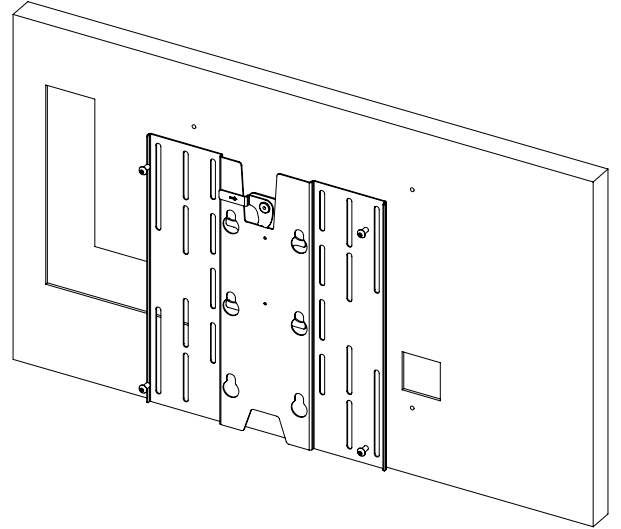


LSM PF - Lift System Medium Push Flap

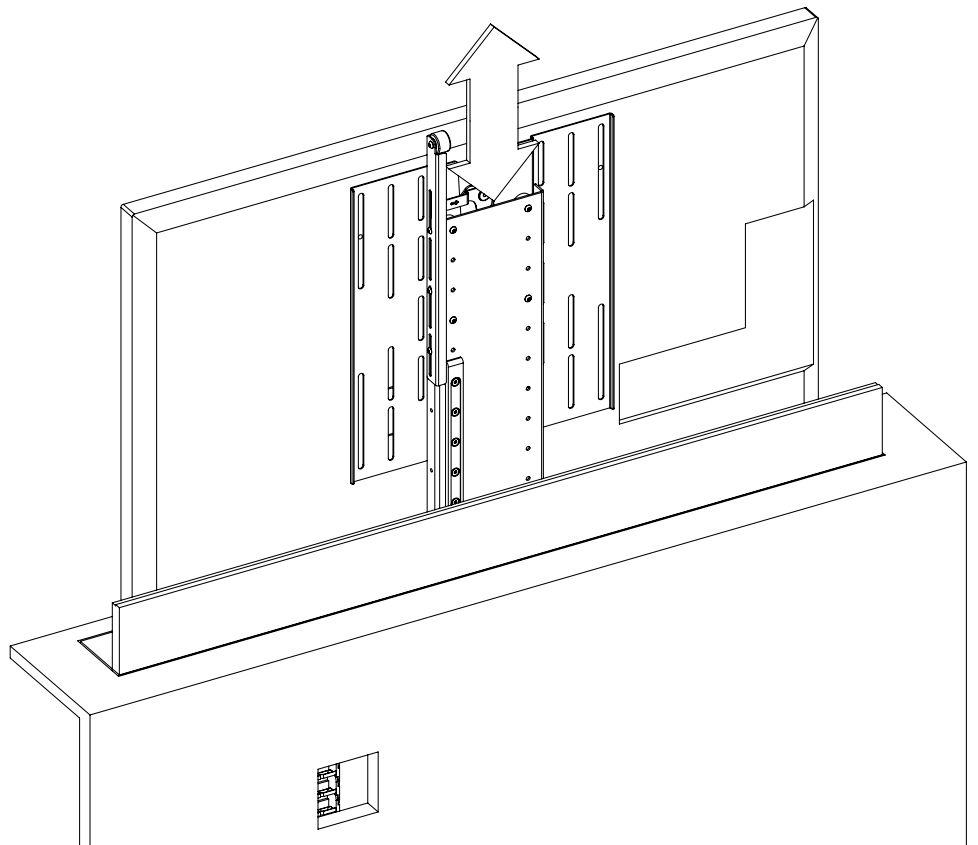
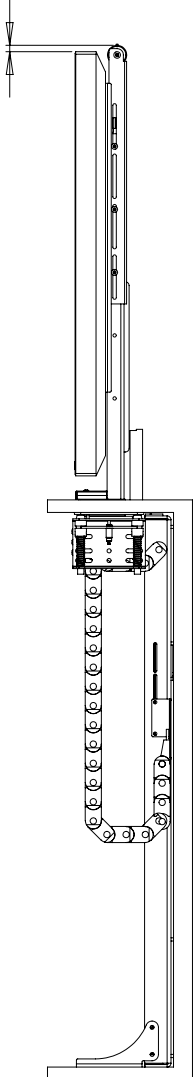


Screen Mounting & Push Flap Roller Adjustment

Attach the Screen Mount Plate to the rear of the TV, then hook on to the KH Upright using the Toggles. Adjust the height position using the slots on the Screen Plate and different Toggle positions on the KH upright. Move the PUSH ROD so the roller sits approximately 5mm above the screen.



5mm [0.2"] MIN



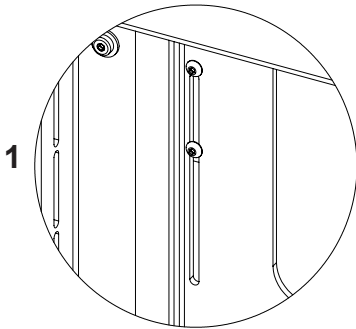
LSM PF - Lift System Medium Push Flap



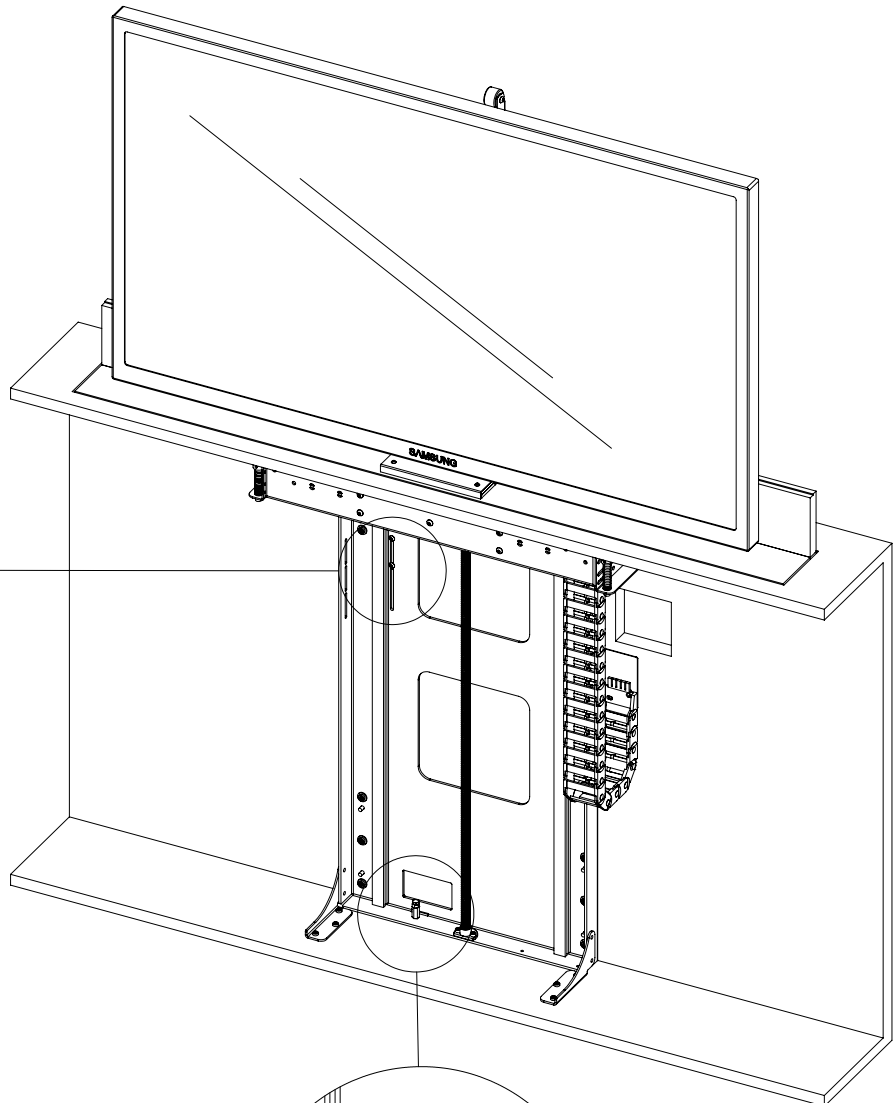
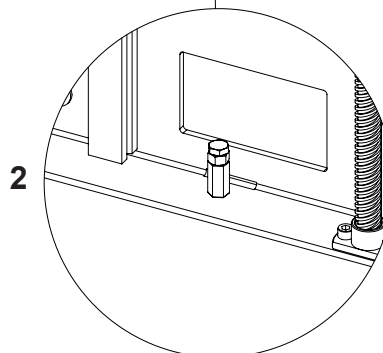
Switch Adjustments

You can adjust the IN and OUT position of the lifting beam. Detail 1 shows how to adjust the OUT position and detail 2 shows how to adjust the IN position. The IR sensor can be located anywhere outside of the cabinet.

1 - The top switch can't be adjusted when the mechanism is in the OUT position, because the switch is active. Lower the mechanism and press STOP after about 100mm [4"]. Then adjust the OUT switch plate by loosening the bolts and sliding the plate.



2 - Height of the lower post determines the IN position

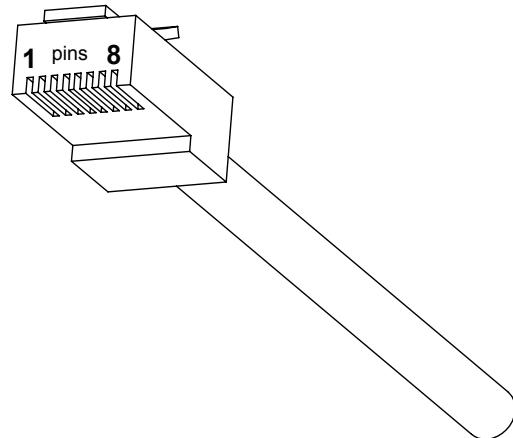


LSM PF - Lift System Medium Push Flap

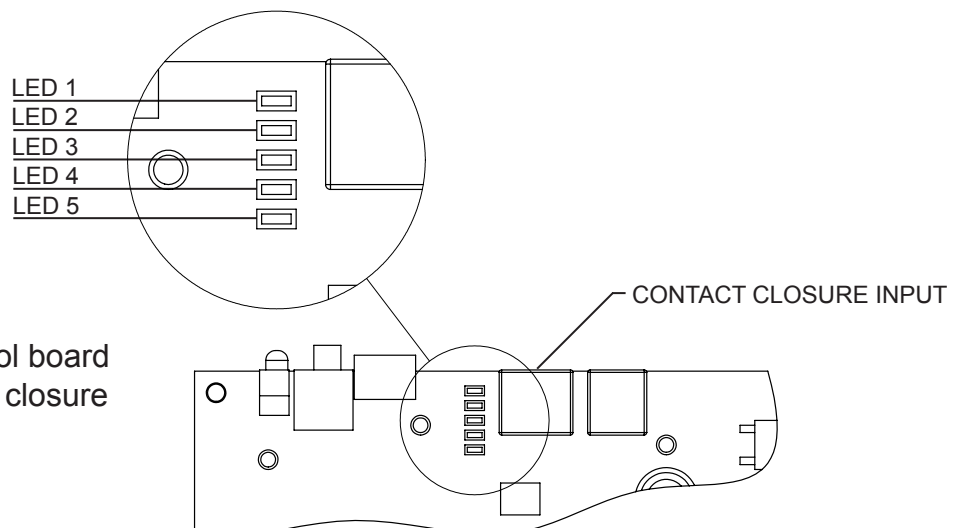


Contact Closure

- Use an RJ45 connector in the CCI socket on the control box to operate via contact closure



PIN	DESCRIPTION	ACTION	WIRE / CABLE		CONTACT CLOSURE LED INDICATOR
			568A	568B	
1	12V SUPPLY	12V SUPPLY - CURRENT LIMITED	W/G	W/O	
2	12V LATCH	When 12V attached, device will go OUT. When 12V removed, device will go IN.	G	O	
3	GROUND	GROUND	W/O	W/G	
4		PIN 4 NOT USED	BL	BL	
5	DEVICE LATCH	Short to GROUND (pin 3), device will go OUT, remove short device will go IN.	W/BL	W/BL	LED 4
6	DEVICE STOP	Momentary short to GROUND (pin 3), stops device in current position.	O	G	LED 3
7	DEVICE OUT	Momentary short to GROUND (pin 3), makes device go OUT.	W/BR	W/BR	LED 2
8	DEVICE IN	Momentary short to GROUND (pin 3), makes device go IN.	BR	BR	LED 1



NOTE:
Earlier versions of the control board may not have these contact closure LED indicators.

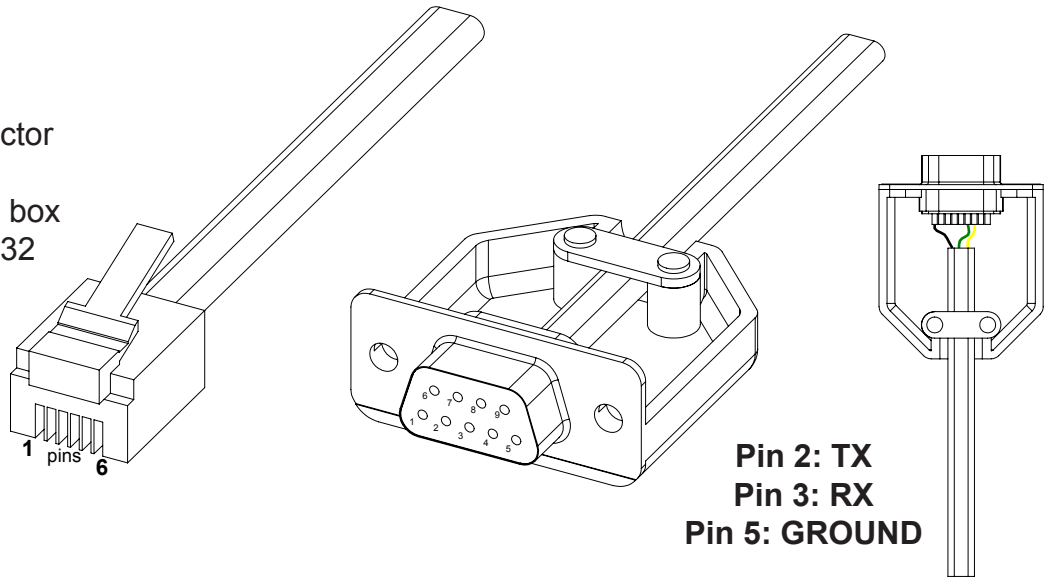
LSM PF - Lift System Medium Push Flap



RS232

- Use an RJ25 connector in the socket marked RS232 on the control box to operate using RS232

Pin 1: RX
Pin 6 : TX
Pin 3 & 4: GROUND



Pin 2: TX
Pin 3: RX
Pin 5: GROUND

Details

Baud rate: 9600
Stop bit: 1
Parity: None
Databits: 8

RJ25		9 PIN D
PIN 1: RX	TO	PIN 2: TX
PIN 6: TX	TO	PIN 3: RX
PIN 3: GROUND	TO	PIN 5: GROUND
PIN 4: GROUND	TO	PIN 5: GROUND

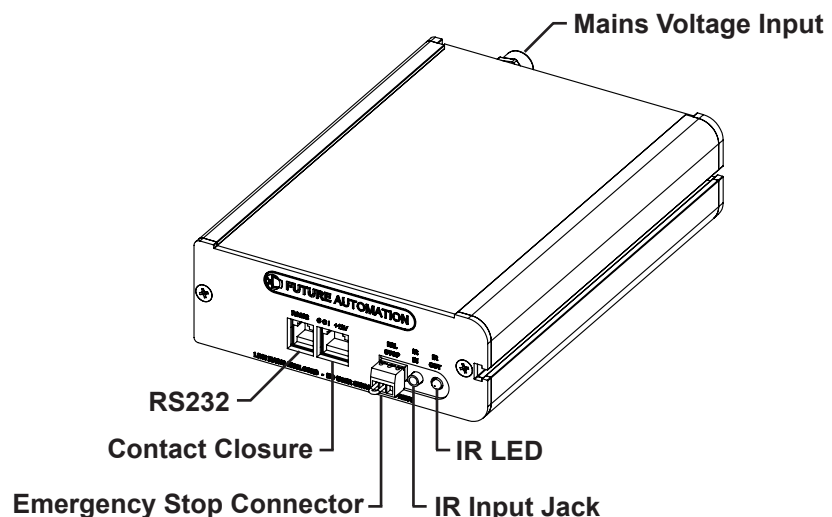


IMPORTANT

Ensure protocol is entered exactly as written, including Carriage Return (Enter / ASCII 13).

Protocol	Action
fa_in Carriage Return (Enter ←↵)	Device IN
fa_out Carriage Return (Enter ←↵)	Device OUT
fa_stop Carriage Return (Enter ←↵)	Device STOP (At any position)

Connection Locations



LSM PF - Lift System Medium Push Flap

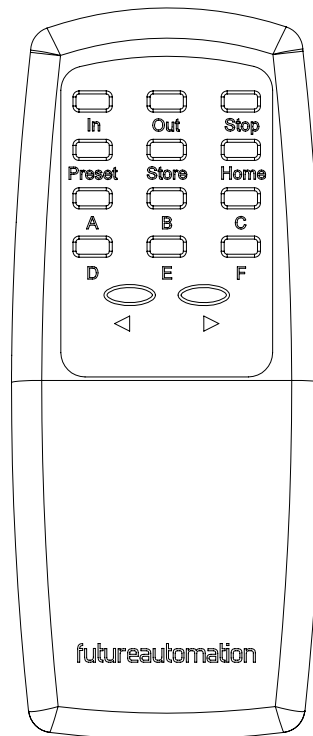


Operation buttons for the IR remote

In - Brings the mechanism inside the cabinet

Out - Brings the mechanism out of the cabinet facing forward

Stop - Will stop the operation at any position



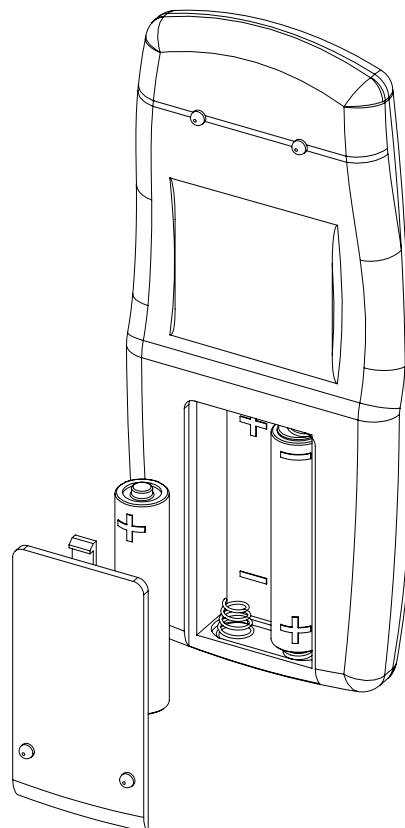
Note

Only buttons indicated are functional with the product. Any button pressed when in motion will stop the mechanism.

Replacing batteries



Future Automation IR Remote Controller needs x2 AAA batteries which are provided within the packaging



LSM PF - Lift System Medium Push Flap



Lift System Medium Push Flap - Trouble shooting guide

Lift System Medium Push Flap - Trouble shooting

For information on our products please refer to our web site -
www.futureautomation.co.uk
or for questions on installations and our product range please
phone us on - **+44(0) 1438 833577** and ask for our technical
support department

LSM PF - Lift System Medium Push Flap



Technical Overview

A general technical overview of the LSM PF lift mechanism range

LSM PF RANGE			
Product Size Range	LSM PF 4	LSM PF 5	LSM PF 6
Product Dimensions	Width - 745mm [29.3"]	Width - 745mm [29.3"]	Width - 745mm [29.3"]
	Height - 820mm [32.3"]	Height - 880mm [34.6"]	Height - 950mm [37.4"]
	Depth - 165mm [6.5]	Depth - 165mm [6.5]	Depth - 165mm [6.5]
Weight Approx	25Kg [55.1lb]	25Kg [55.1lb]	25Kg [55.1lb]
Power Consumption	250W - 500W	250W - 500W	250W - 500W
Power Consumption On Standby	100mA	100mA	100mA
Lifting Capacity	50Kg [110lb]	50Kg [110lb]	50Kg [110lb]
Lifting Capacity Marine	30Kg [66lb]	30Kg [66lb]	30Kg [66lb]
Standard Screen Mount Colour	Black	Black	Black
Max Television Size	Height - 675mm [26.6"]	Height - 735mm [28.9"]	Height - 805mm [31.7"]
Control	IR Remote, RF Remote, Contact Closure & RS232	IR Remote, RF Remote, Contact Closure & RS232	IR Remote, RF Remote, Contact Closure & RS232
Power Supply	240V or 110V	240V or 110V	240V or 110V
Control Of 3rd Party Product	Yes	Yes	Yes
Output Power Supply	Yes (12V)	Yes (12V)	Yes (12V)
Control Box Size (W,D,H)	150x210x52mm [5.9x8.3x2.0"]	150x210x52mm [5.9x8.3x2.0"]	150x210x52mm [5.9x8.3x2.0"]
Shipping Details	1800x500x1200mm [70.9x19.7x47.2"]	1800x500x1200mm [70.9x19.7x47.2"]	1800x500x1200mm [70.9x19.7x47.2"]
Dimensions Approx (W,D,H)			
Weight Approx	30Kg [66.1lb]	30Kg [66.1lb]	30Kg [66.1lb]

LSM PF - Lift System Medium Push Flap



Notes...



Future Automation

Unit 2 Kimpton Enterprise Park
Claggy Road
Kimpton
Hertfordshire
SG4 8HP
United Kingdom

Tel: +44 (0) 1438 833 577

Fax: +44 (0) 1438 833 565

Email: info@futureautomation.co.uk

www.futureautomation.co.uk