

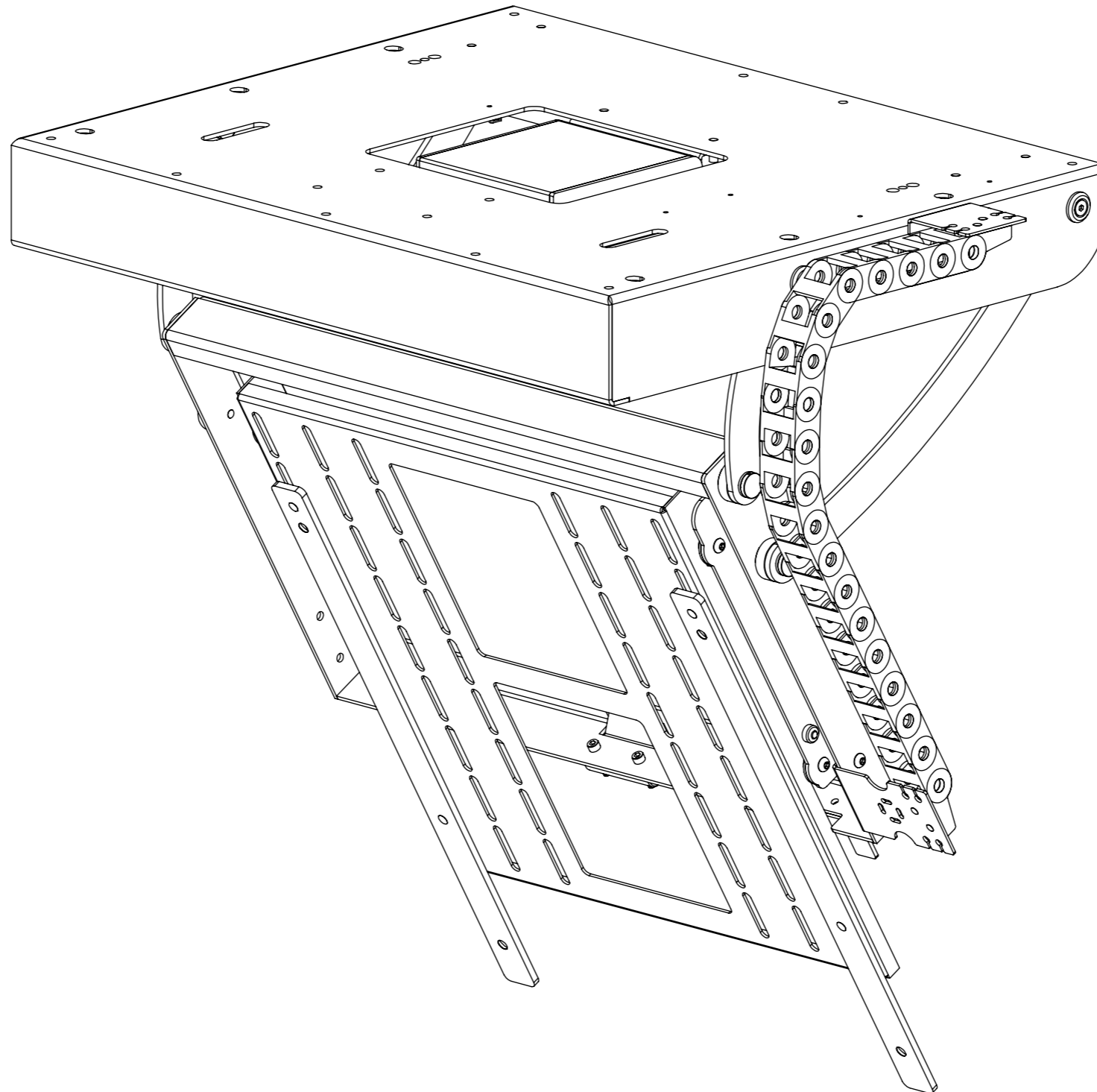


DESIGN HIGHLIGHTS

- Solid steel construction holds screen securely
- Smooth quiet motion
- Cable management chain keeps all cabling safe and secure
- Control box mounted on 3m [10ft] wiring loom or on-board (optional)
- Maximum tilt angle of 60° degrees

OPTIONS

- Any RAL colour available
- Bang & Olufsen / Loewe mount option



FUNCTION

A surface mounted motorised solution for mounting a flat screen television on a flat or pitched ceiling.

Lowers screen from parallel to ceiling down to required viewing position by up to 60 degrees.

SUITABILITY

All flat screens with rear mounting holes up to VESA 400 are suitable for the Ceiling Tilt Mechanism.

Check the screen size to make sure the screen covers the bracket in the IN / CLOSED position.

Suitable for a Maximum Screen Weight of 20Kg [44lbs].

SPECIFYING

Check ceiling makeup to decide on fixings to be used.

Check screen details for mounting possibilities.

Check angles for viewing.

CONTROL

Supplied with basic infrared remote. Can be learnt by many learning remotes.

Also has switch control and RS232 so can be operated by relays, switches, Crestron / AMX or Lutron systems.

WARNING

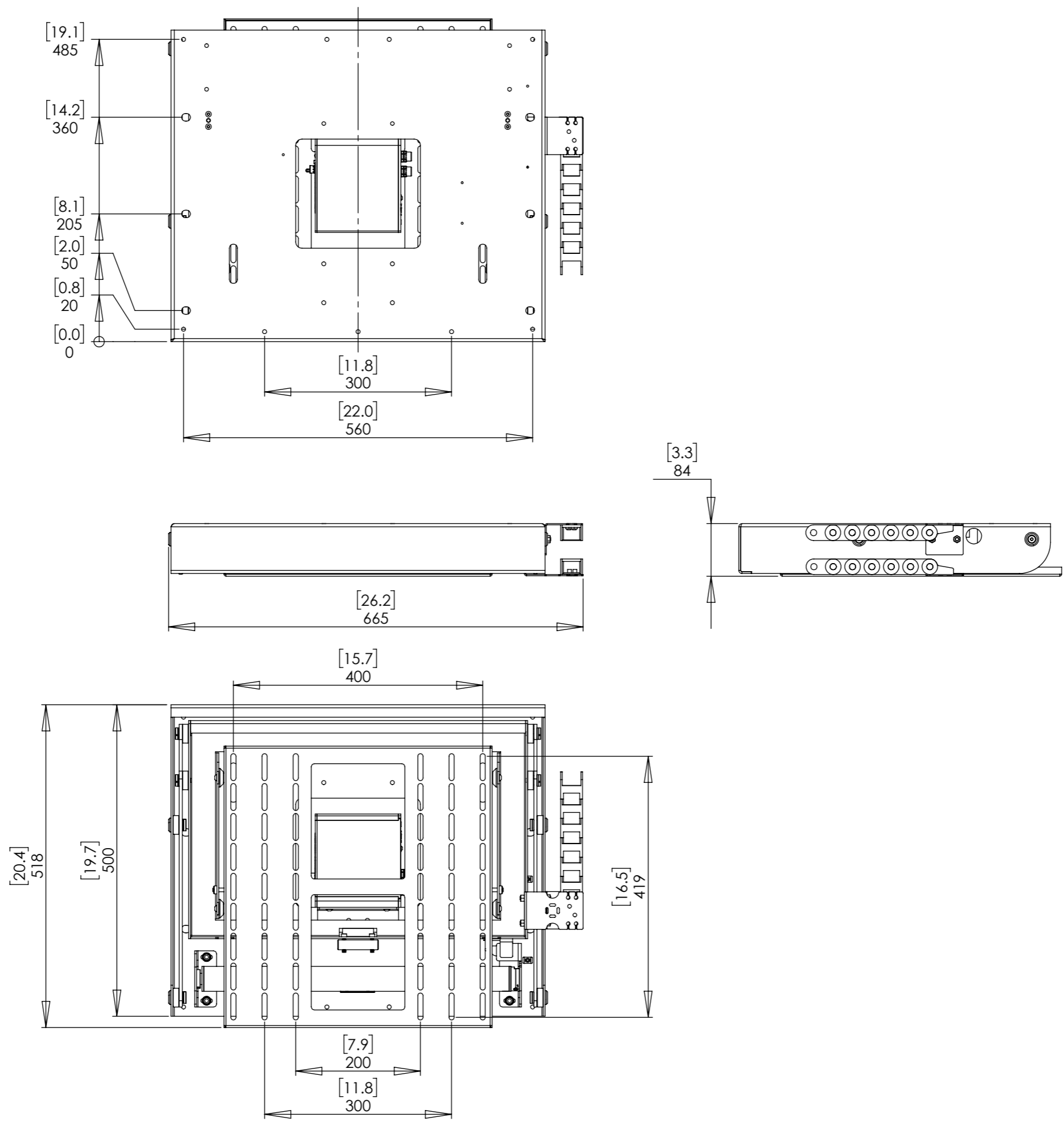
It is the responsibility of the installer to warn all potential end users of the dangers of interfering with mechanisms during operation

IMPORTANT

Mechanisms which lift or move weights need to be checked on a yearly basis for any damage which may result in an accident

Overall Dimensions

IN Position



Viewing Positions

The OUT position of the Ceiling Tilt mechanism can be adjusted by up to 60 degrees.

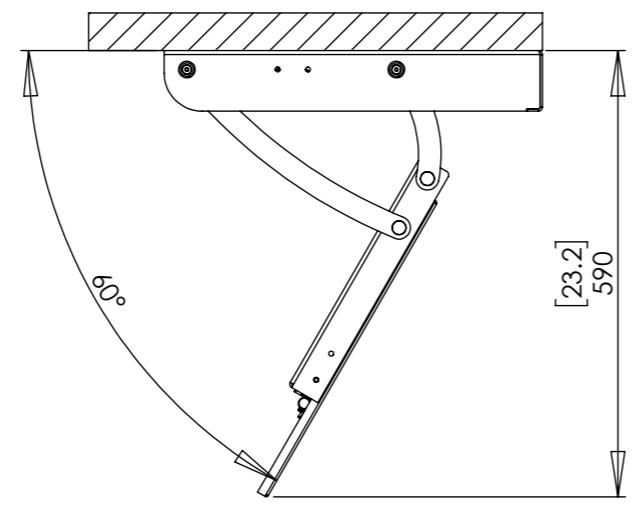
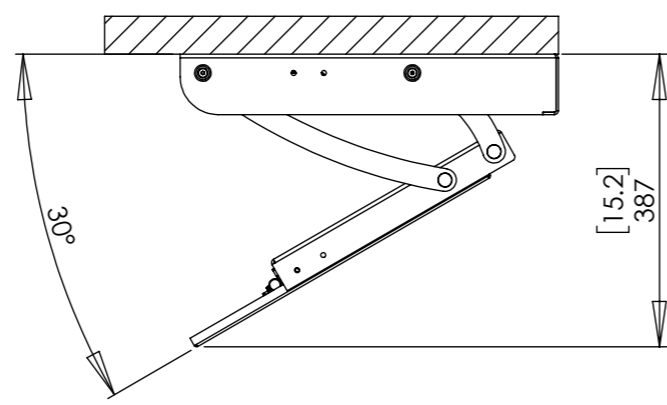
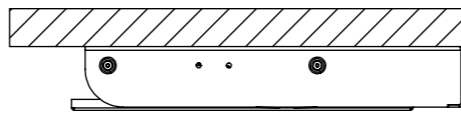
The Ceiling Tilt can be mounted on either a flat or pitched ceiling surface.

NOTE: Angle may be limited depending on screen size.

NOTE: Maximum angle will be reduced when mounted on pitched ceilings greater than 25°.

Maximum OUT position will be -5° from vertical.

FLAT CEILING



PITCHED CEILING

