



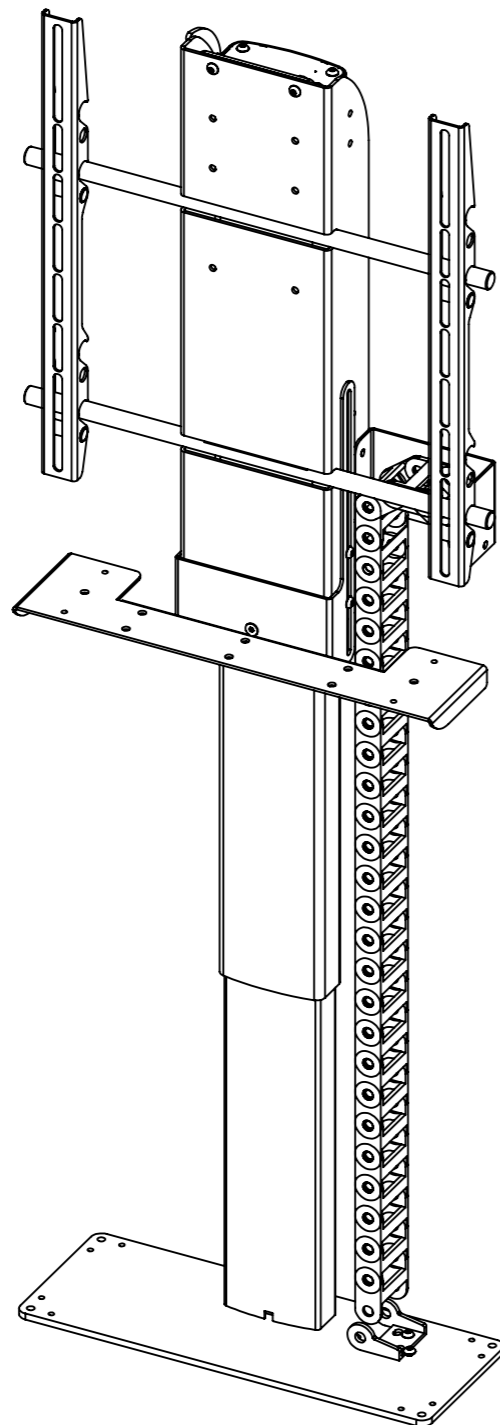
DESIGN HIGHLIGHTS

- Push Up Lid
- Full cable management
- Compact design for minimum spatial requirements
- Only 55mm of height above television required
- Near silent motor system

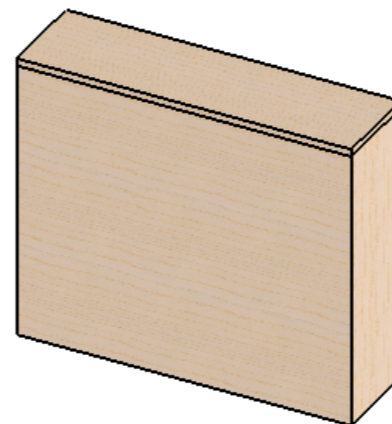
OPTIONS

- Bang & Olufsen / Loewe mount option

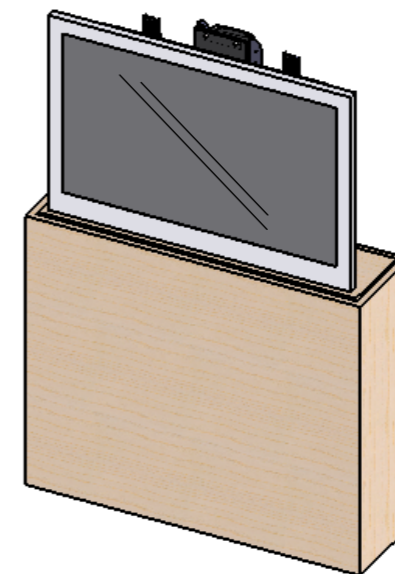
Suitable for mounting the slimmest screens available due to the slim base plate



CLOSED



OPEN



FUNCTION

A lifting mechanism which raises a screen from within a cabinet up into a viewing position.

An adjustable push rod acts on a hinged cabinet flap panel. The flap is pushed up when screen is raised. Once the screen is lowered the panel will fall back to the closed position.

SUITABILITY

The AL675 is the smallest actuator lift mechanism which is suitable for screens 26" - 42".

Other mechanisms are available such as the AL820 and AL965.

SPECIFYING

Check screen details for mounting possibilities.

Max screen height 645mm [25.4"]

Check cabinet and hinged lid details.

CONTROL

Supplied with basic infrared remote. Can be learnt by many learning remotes.

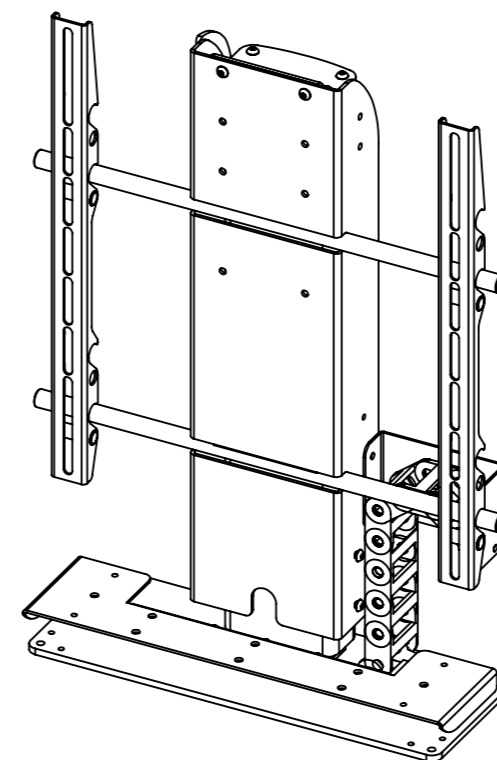
Also has switch control and can be operated by relays, switches, Crestron / AMX or Lutron systems.

WARNING

It is the responsibility of the installer to warn all potential end users of the dangers of interfering with mechanisms during operation

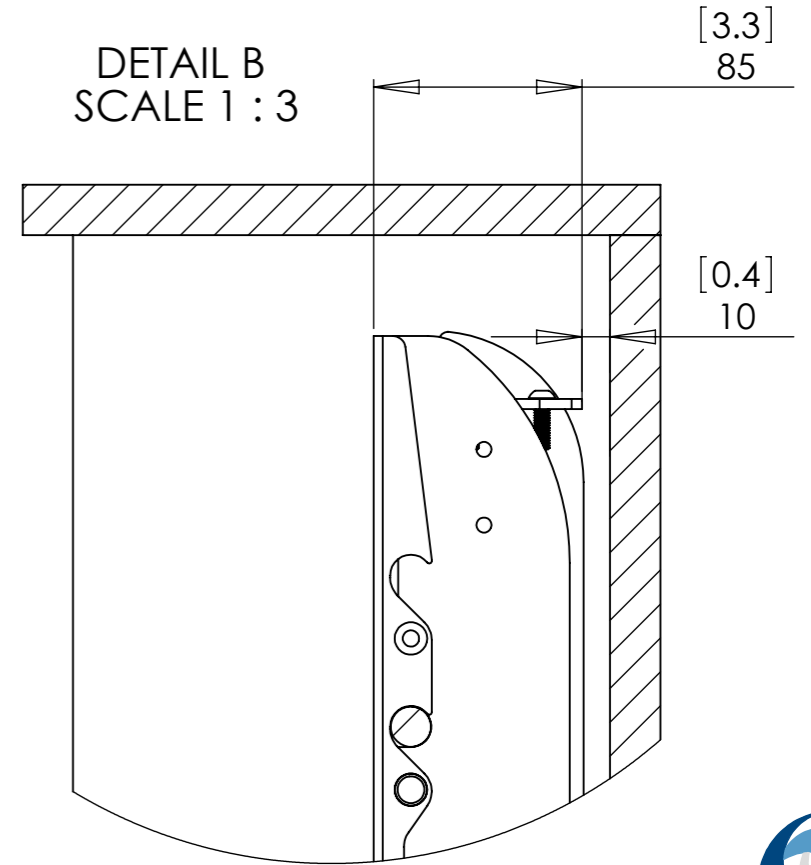
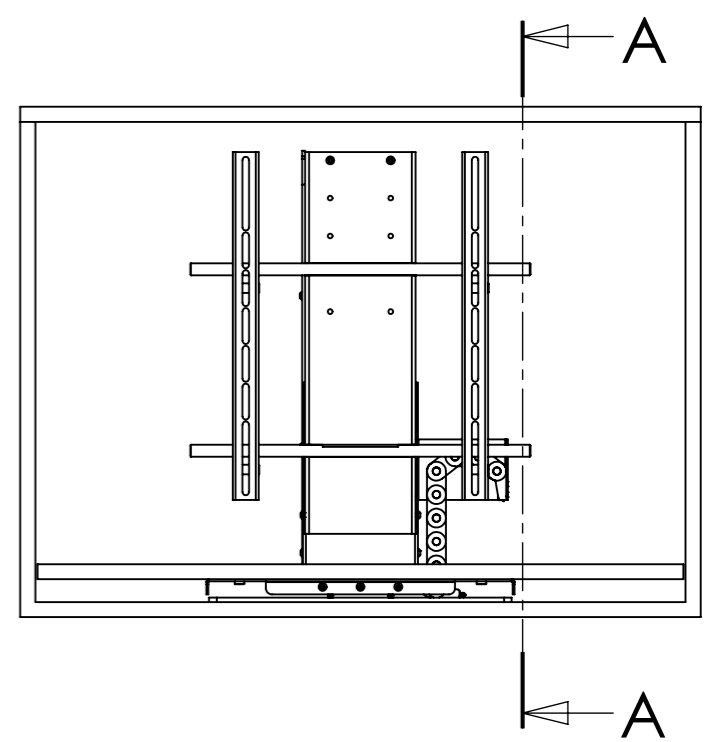
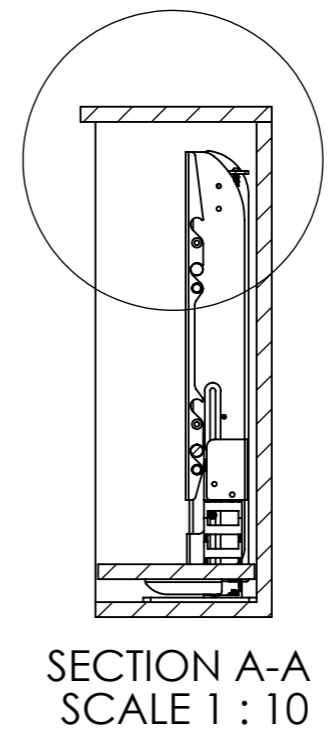
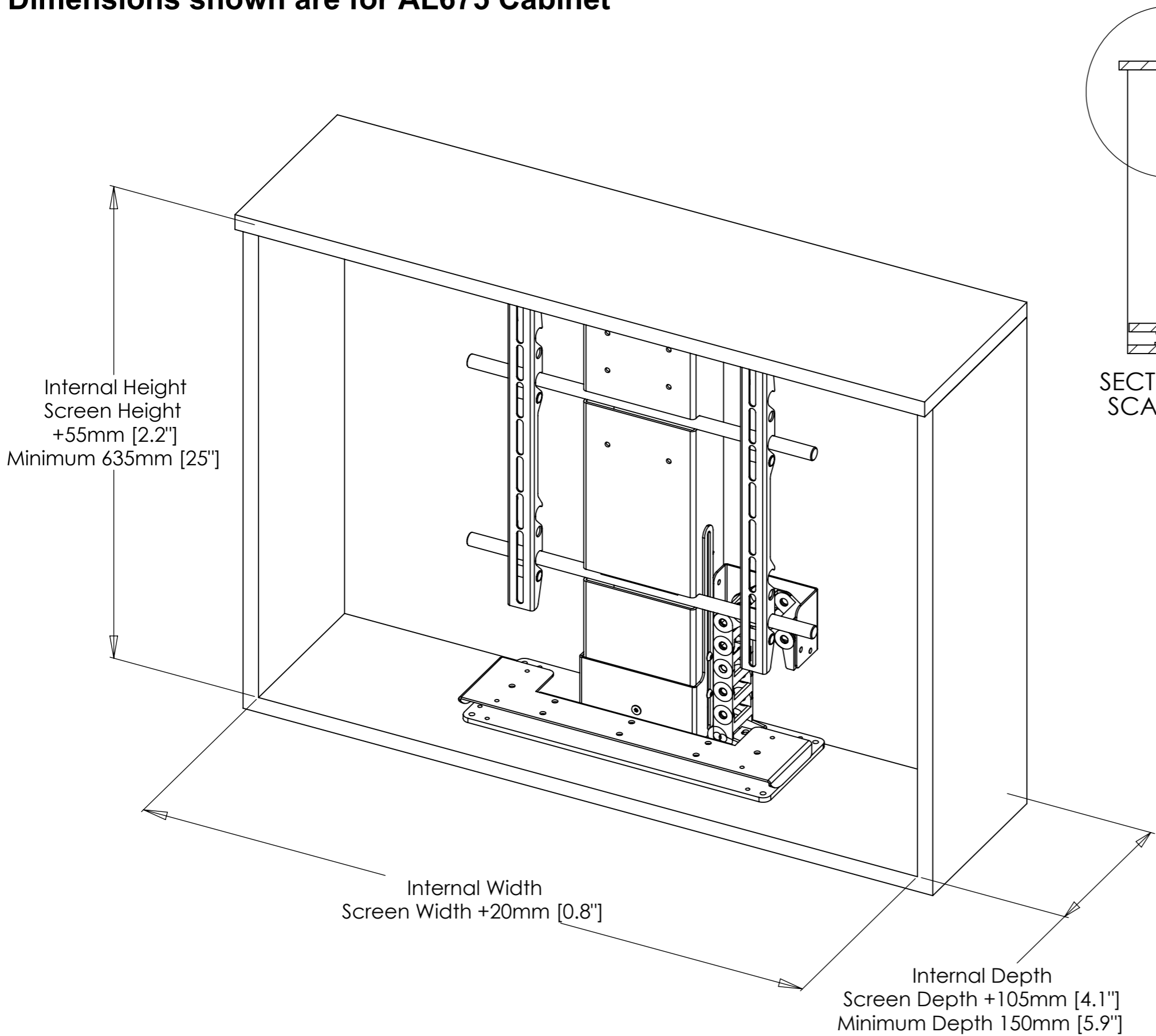
IMPORTANT

Mechanisms which lift or move weights need to be checked on a yearly basis for any damage which may result in an accident

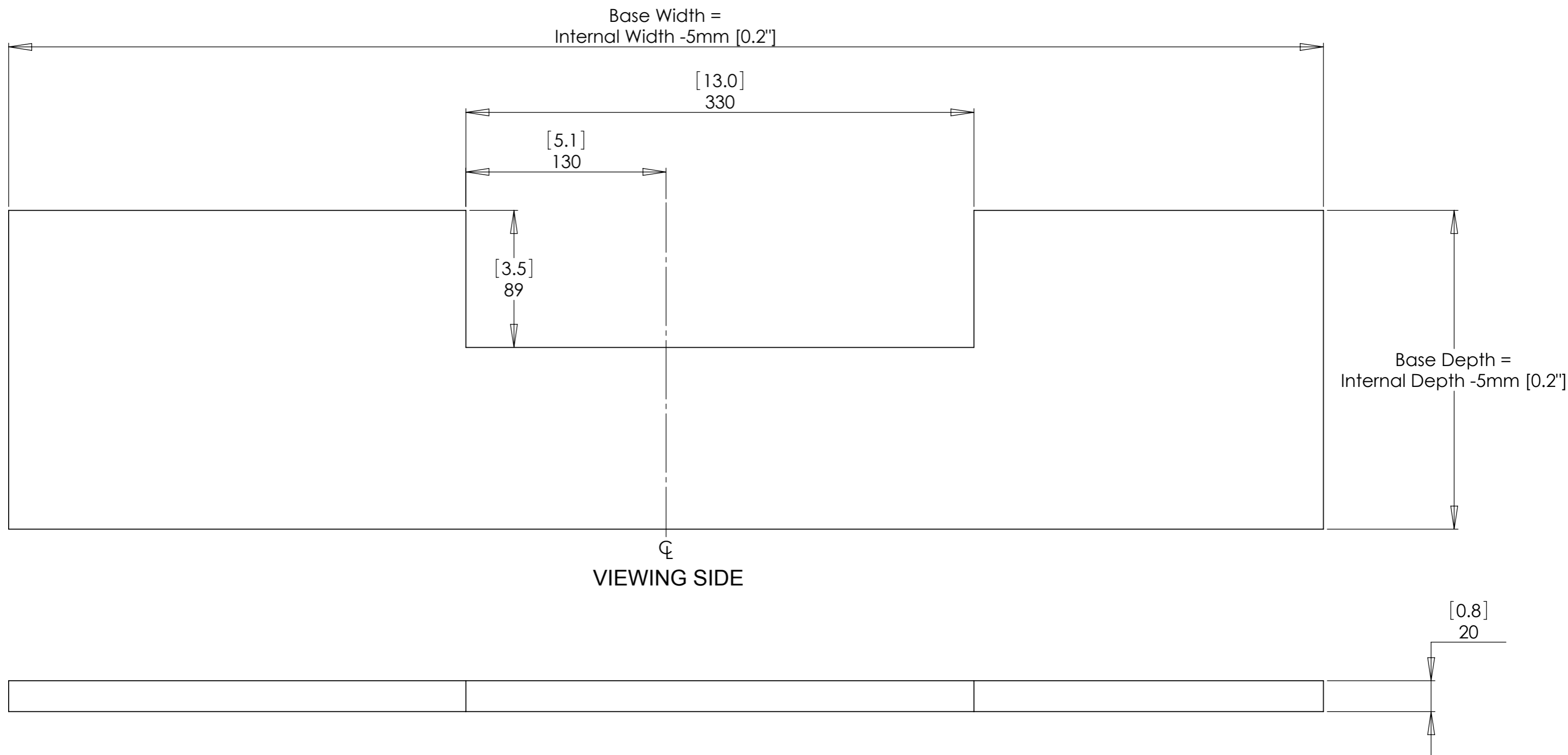


Smooth, whisper quiet, screen lifting mechanism with 675mm of travel

Dimensions shown are for AL675 Cabinet



AL675 Base Dimensions

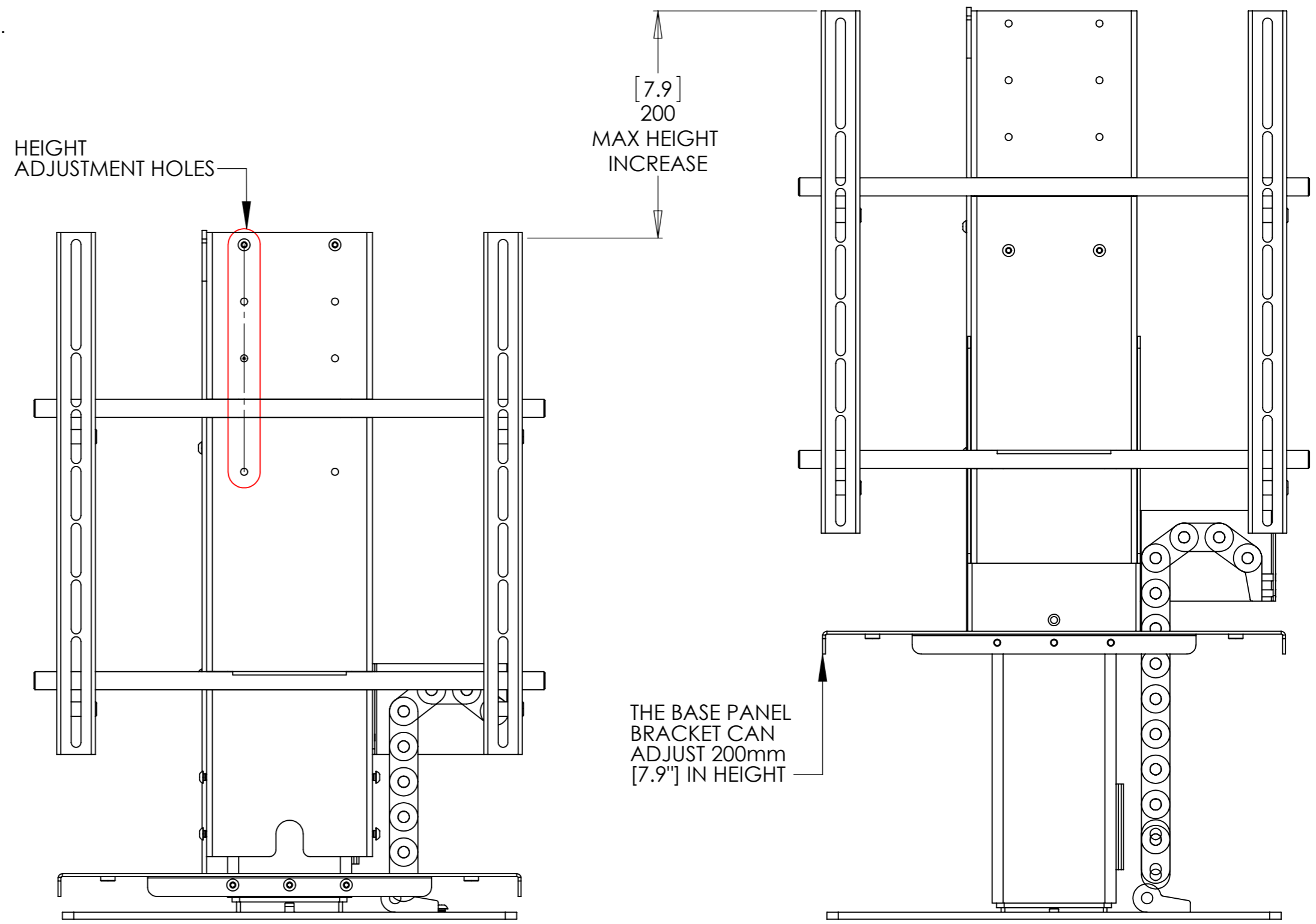


Starting Position Adjustment

The starting position of the screen can be adjusted. From the lowest possible setting, the starting position can be adjusted by 50mm [2"], 100mm [4"] or 200mm [7.9"].

The mechanism will then travel 675mm [26.6"] up from this starting height.

This can be useful when mounting larger screens or when using an existing cabinet.



LOWEST HEIGHT CONFIGURATION

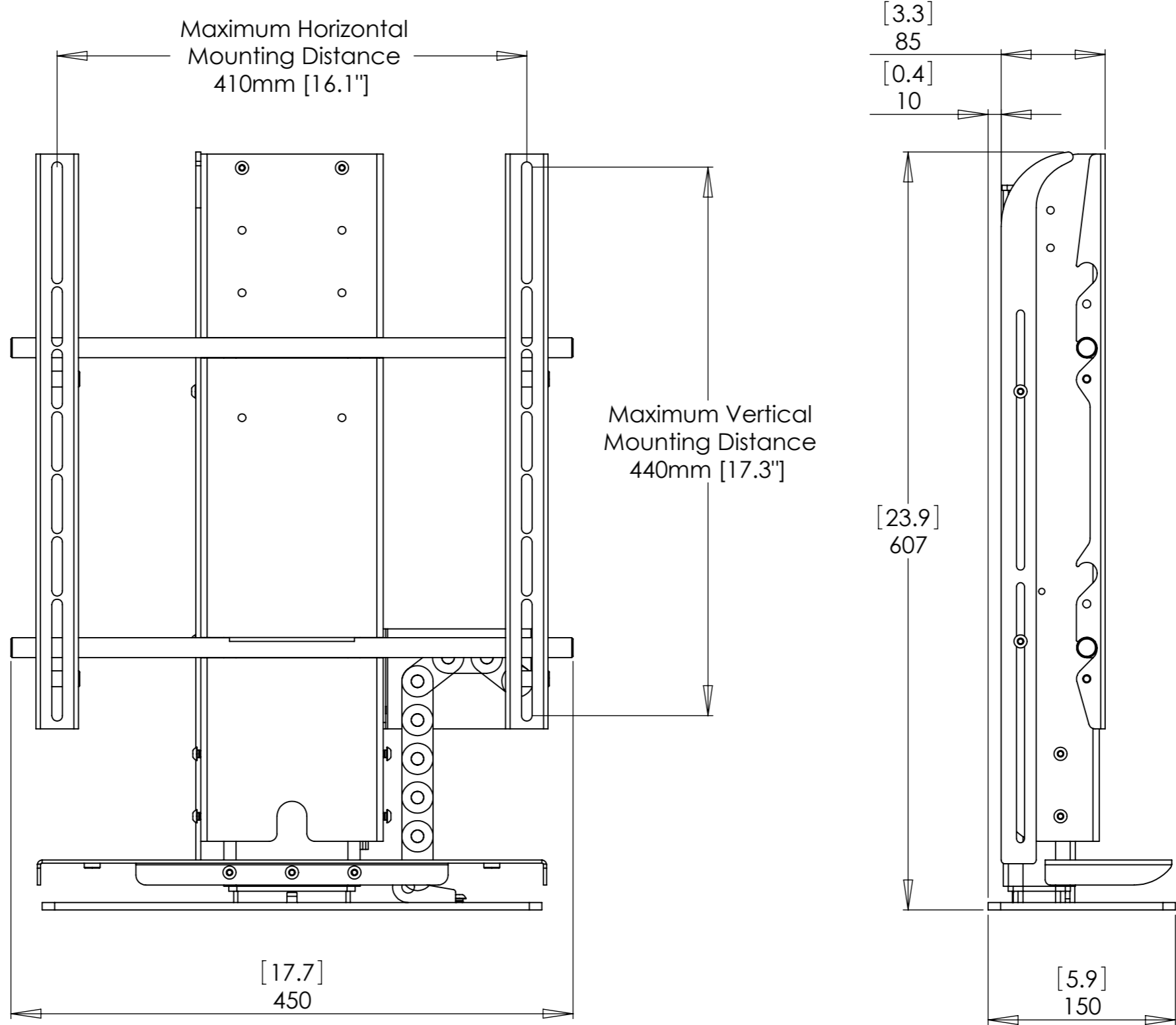
HIGHEST HEIGHT CONFIGURATION

Starting Position Adjustment

The starting position of the screen can be adjusted.

The mechanism will then travel 675mm [26.6"] up from this starting height.

This can be useful when mounting larger screens or when using an existing cabinet.



Shown in Down Position

AL675 Mechanism Dimensions

Shown in Up Position

