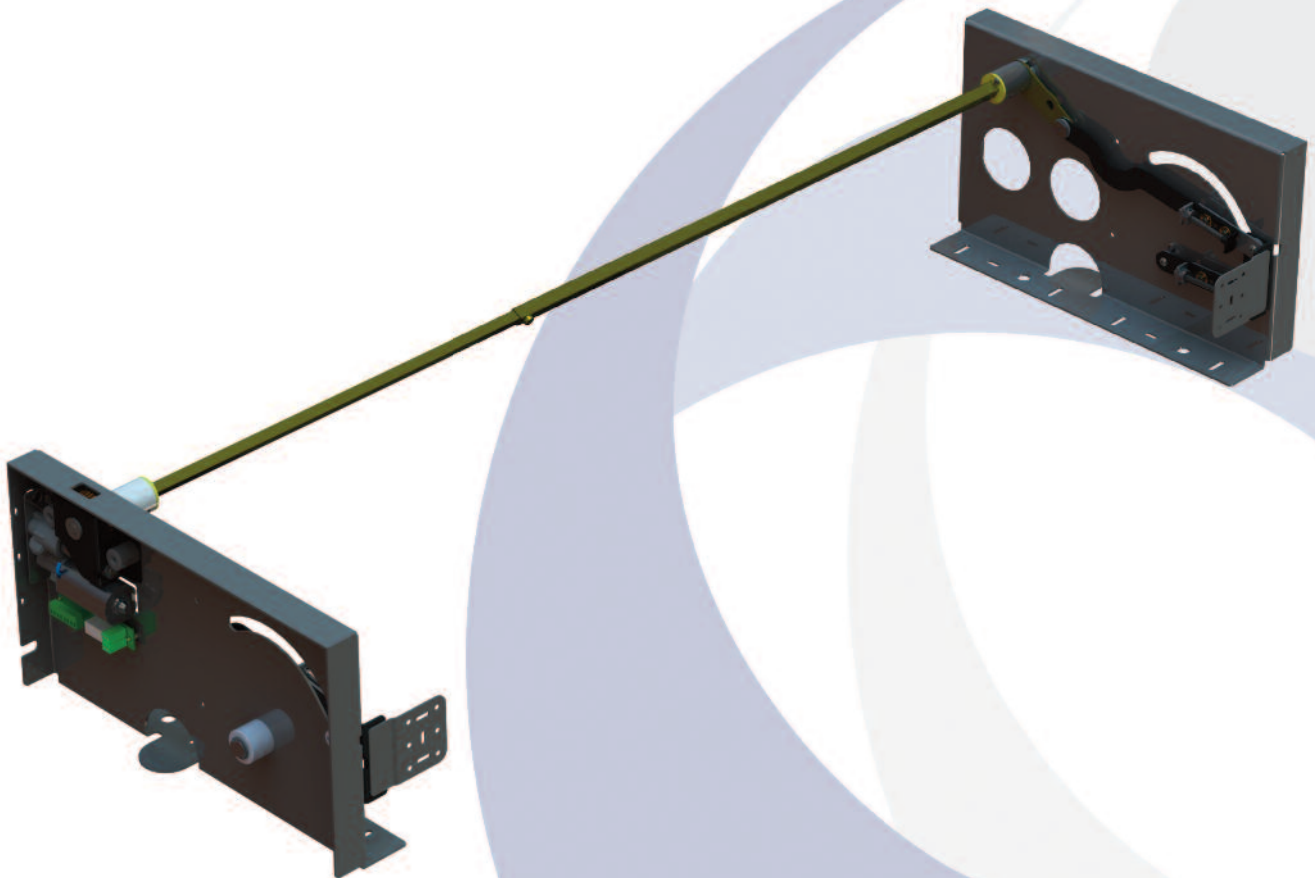


Installation Instructions

EBF - End Bed Flap

Design Highlights

- Quiet smooth action with variable speed motion
- Stylish look and finish
- Easy installation
- Retract and roll flap mechanism gives neatest possible look
- Simple flap adjustment



Thank you for choosing
futureautomation

EBF - End Bed Flap



Caution
Warning



Beware of
Moving Parts



Danger
Electricity



Keep Hands
Clear

Safety Disclaimer

Important Safety Instructions

Explanation of graphical symbols

-(Electric Shock Symbol) = The lightning flash within an equilateral triangle is intended to alert you to the presence of un-insulated "dangerous voltage" within the products enclosure that may be of sufficient magnitude to constitute an electric shock to persons

-(Caution Symbol) = The exclamation point within an equilateral triangle is intended to alert you to the presence of important operating and maintenance (servicing) instructions in the literature accompanying the product

-(Tools Symbols) = The tools symbol within a coloured square are intended to highlight the required tools necessary for correct and safe installation of the product. These are intended as a guide only, and it is at the installer's discretion as to which tools are used.

WARNING: RISK OF ELECTRIC SHOCK, ONLY AUTHORIZED INSTALLERS TO OPEN THE POWER CONTROL BOX.

WARNING: To reduce the risk of fire or electric shock, do not expose electrical parts to rain or moisture, unless the product has been specifically designed to do so.

WARNING: Failure to provide adequate structural strengthening, prior to installation can result in serious personal injury or damage to the equipment. It is the installer's responsibility to ensure the structure to which the component is affixed can support the four times the weight of the component.

WARNING: Do not exceed the weight capacity. This can result in serious personal injury or damage to the equipment. It is the installer's responsibility to ensure that the total combined weight of all attached components does not exceed that of the maximum figure stated.

WARNING: Failure to provide adequate structural strength for this component can result in serious personal injury or damage to equipment! It is the installer's responsibility to make sure the structure to which this component is attached can support five times the combined weight of all equipment. Reinforce the structure as required before installing the component.

Warnings:

1. **Read all technical instructions fully before installation and use. It is the installer's responsibility to ensure that all documentation is passed on to the end user and read fully before operation.**
2. **Keep all documentation.**
3. **Heed all warnings.**
4. **Follow all technical specifications and instructions during installation.**
5. **Do not use near water unless the product has been specifically designed to do so.**
6. **Clean only with a dry cloth.**
7. **Do not defeat the purpose of the polarized or grounding type plug. A polarized plug has two blades, one wider than the other. A grounding type plug has two blades and a grounding prong. The wide blade or third prong are provided for your safety. If the provided plug does not fit your outlet, consult an electrician or contact the manufacturer.**
8. **Protect the power cord from being walked on or pinched, particularly at plugs, convenience receptacles, and the point where the exit from the apparatus.**
9. **Unplug the apparatus during lightning storms or when unused for long periods of time.**
10. **Only use attachments/accessories specified by the manufacturer.**
11. **Refer all servicing to qualified personnel. Servicing is required regularly on an annual basis, when the apparatus is damaged in any way, liquid has been spilled or objects have fallen into the apparatus, the apparatus has been exposed to rain or moisture, does not operate normally, or has been dropped.**
12. **To completely disconnect the apparatus from the AC mains, disconnect the power cord plug from the AC receptacle on the power control box.**
13. **To prevent overheating, do not cover the apparatus. Install in accordance with the instructions.**
14. **UK, Ireland and Hong Kong only – The power cord is supplied with a 13A plug having an earthing pin. The apparatus is earthed and this pin is not required for safety, merely to operate the safety shutter of mains outlet.**
15. **No naked flames such as lit candles should be placed on the unit.**
16. **Observe and follow the local regulations when disposing of batteries.**
17. **Do not expose the unit to dripping or splashing fluids.**
18. **Do not place objects filled with liquid, such as vases, on the unit.**
19. **Do not expose the batteries to excessive heat such as sunshine, fire or the like.**
20. **For all mounted apparatus, the apparatus should be installed on solid wood, bricks, concrete or solid wood columns and battens.**
21. **Always turn off power at source before putting on or taking off parts and cleaning.**
22. **Do not use outdoors unless marked for outdoor use.**
23. **Exceeding the weight capacity can result in serious personal injury or damage to equipment.**

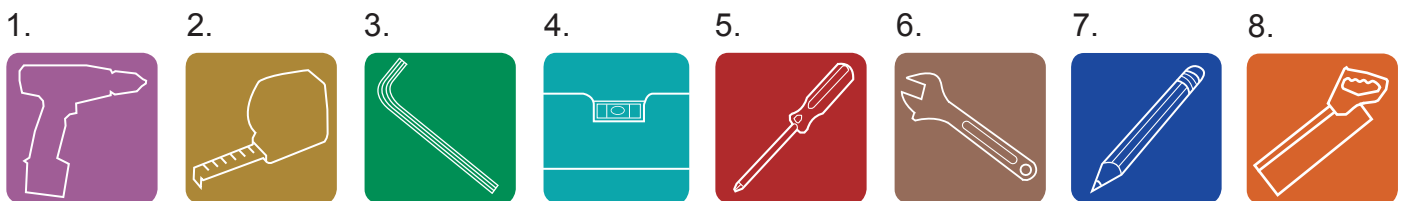
Future Sound & Vision trading as Future Automation intend to make this and all documentation as accurate as possible. However, Future Automation makes no claim that the information contained herein covers all details, conditions or variations, nor does it provide for every possible contingency in connection with the installation or use of this product. The information contained in this document is subject to change without prior notice or obligation of any kind. Future Automation makes no representation of warranty, expressed or implied, regarding the information contained herein. Future Automation assumes no responsibility for accuracy, completeness or sufficiency of the information contained in this document.

EBF - End Bed Flap

Contents	Page
Introduction	
Safety Information	1
Contents	2
Contents	3
Tool Indicator Icons	3
Installation	
Parts List	
Package Contents	4
Stage 1	
Before You Start	5
Stage 2	
Add The Flap Mounting Brackets	6
Stage 3	
Fixing The Drive & Slave Side Units Down	7
Stage 4	
Connecting The Drive Shaft	8
Stage 5	
Fixing The Flap	9
Stage 6	
Adjusting The Flap	10
Stage 7	
Test & Run The Flap	11
Stage 8	
Adding The UBL / UBLS	12

EBF - End Bed Flap

Tool Indicator Icons



1. - Drill

2. - Tape measure

3. - Allen Keys

4. - Spirit Level

5. - Screwdrivers

6. - Spanners

7. - Pencil

8. - Saw

Product Warranty

This product carries a warranty that covers the cost of labour and spare parts incurred by any defects in materials and workmanship under normal use during a two year period from date of purchase. Support for any problems that are not hardware faults are excluded from the warranty entitlement. This warranty does not affect your statutory consumer rights.

The following is excluded from warranty service:

- Malfunctioning caused by misuse or damage, accidental or otherwise, or service modification by persons not authorised by Future Automation, or the use of any non Future Automation supplied parts;
- Any electrical, or other environmental work external to your Future Automation mechanism including power cuts, surges or lightning strikes;
- Additional items not supplied by Future Automation although they may have been supplied together by the retailer;
- Any 3rd party software products controlling your mechanism;
- Any transfer of ownership. Warranty is provided only to the initial purchaser;
- Compensation for loss of use of the product, and consequential loss of any kind;
- Use of the product over the specified weight capacity;
- Any damage to products during transit that is not checked and notified as "unchecked" or "damaged" upon receipt of delivery.

Any part of your system that needs to be replaced during a warranty repair becomes the property of Future Automation.

EBF - End Bed Flap

Package Contents

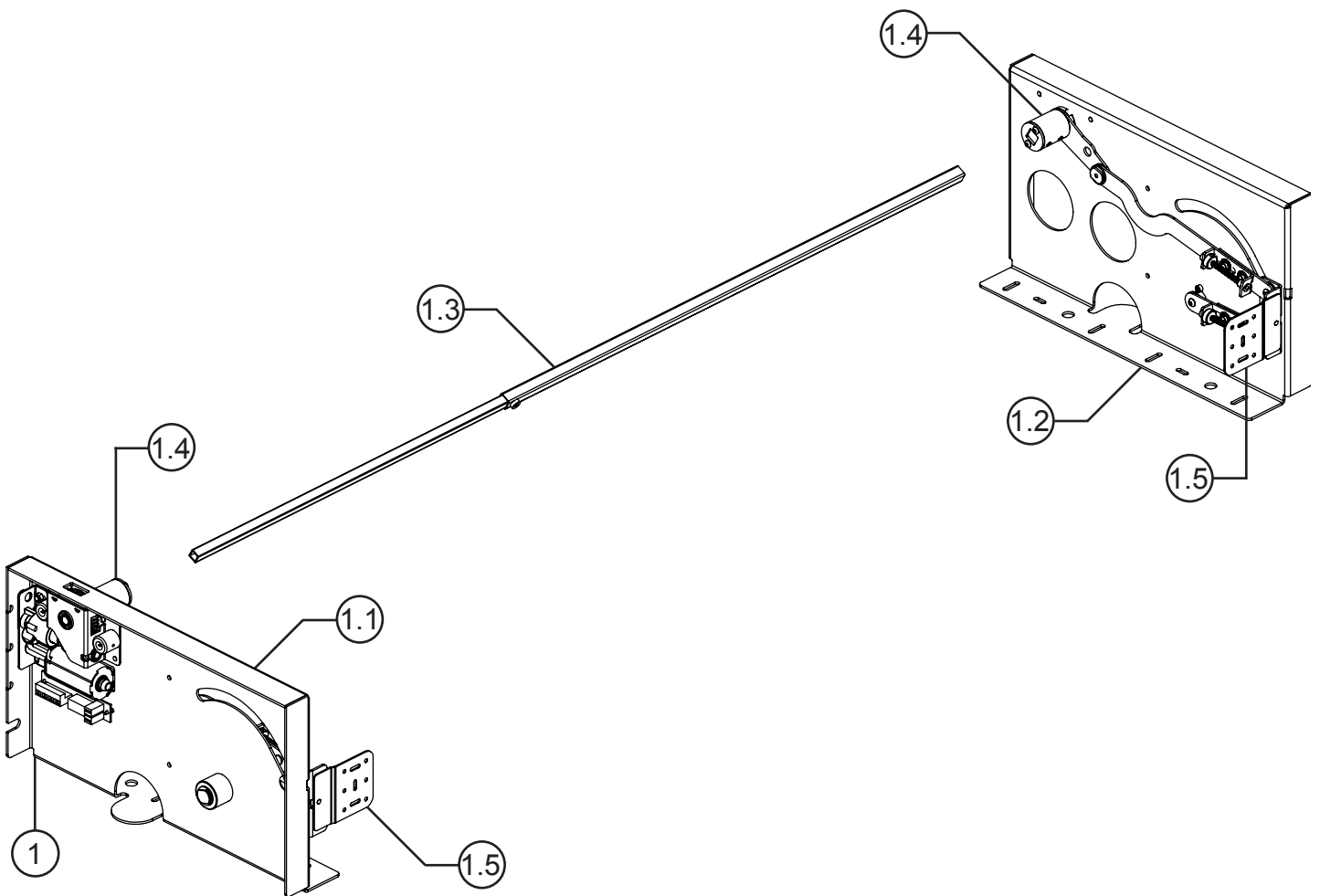
- 1 - Mechanism
- 1.1 - Drive Side Unit
- 1.2 - Slave Side Unit
- 1.3 - Telescopic Drive Shaft
- 1.4 - Locking Bosses
- 1.5 - Flap Mount Brackets

Not Shown On Page

- 2 - Multi Pack Of Nuts, Bolts & Washers
- 3 - Mains Power Lead

Nuts & Bolts Multipack:

A range of nuts, bolts, washers and spacers to help aid in the mounting for your flap



EBF - End Bed Flap

Before you start

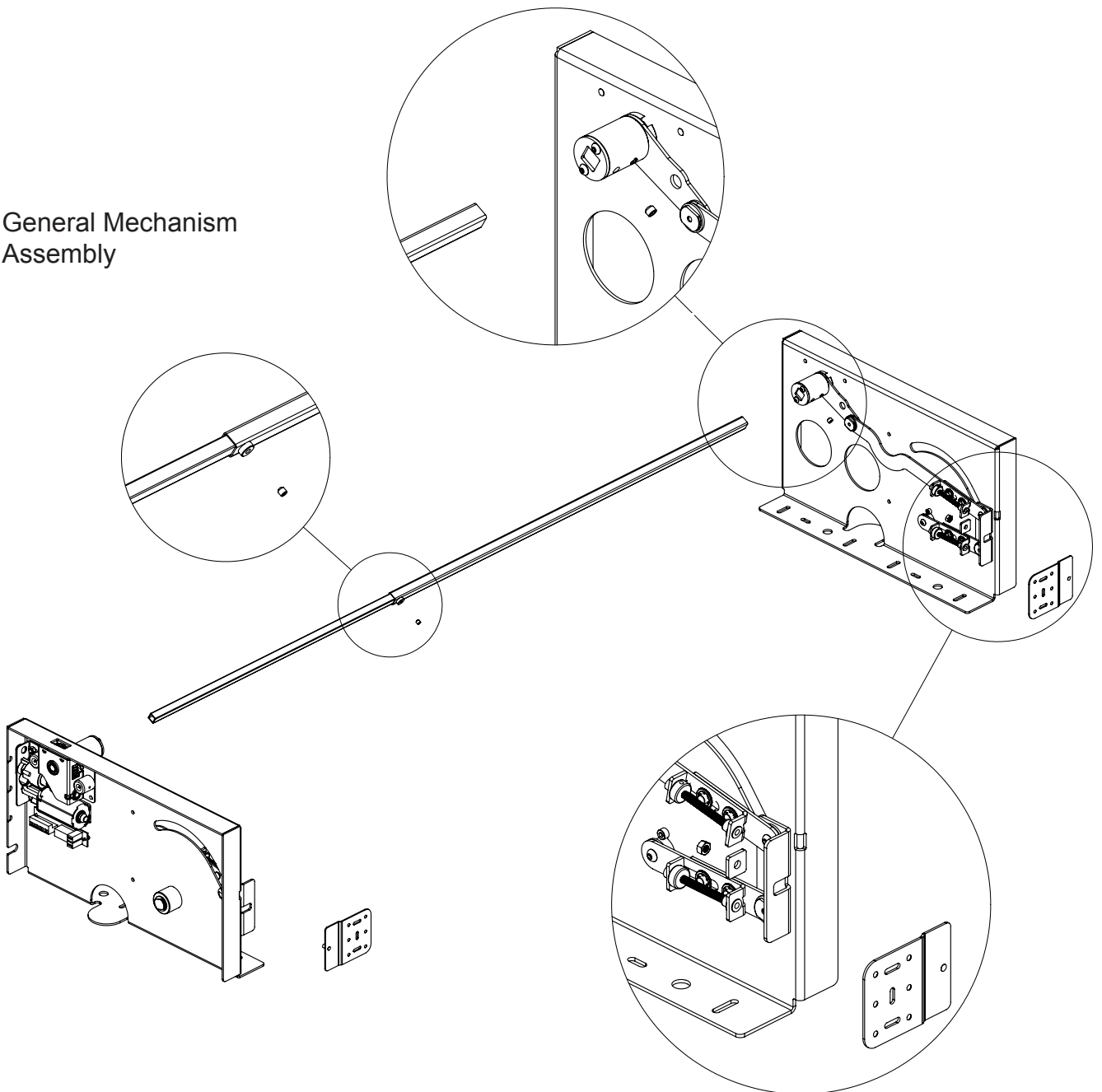
Prior to installation check the following:

- The product is in good condition
- No damage to any parts
- Wiring is all secure
- Test the mechanism by running it



NOTE - The UBL / UBLS will NOT work until the EBF is connected to the control box

General Mechanism Assembly

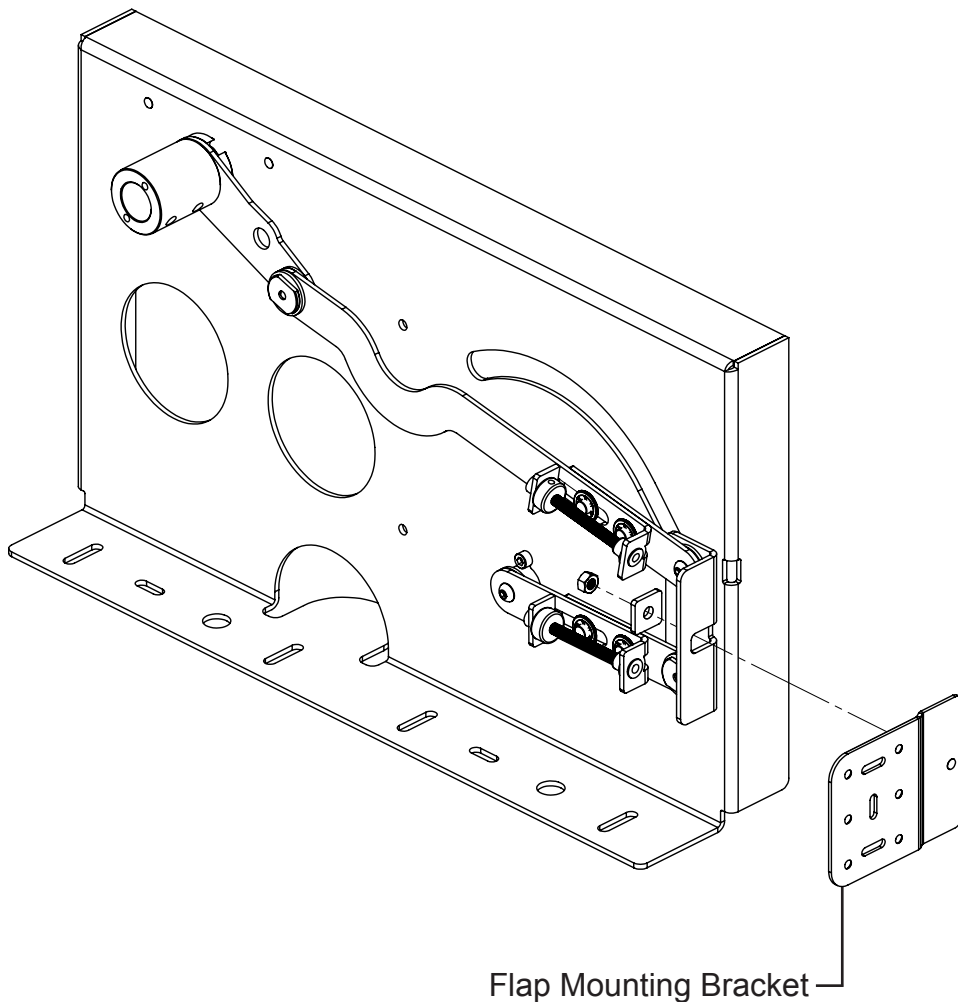


EBF - End Bed Flap



Add the flap mounting brackets

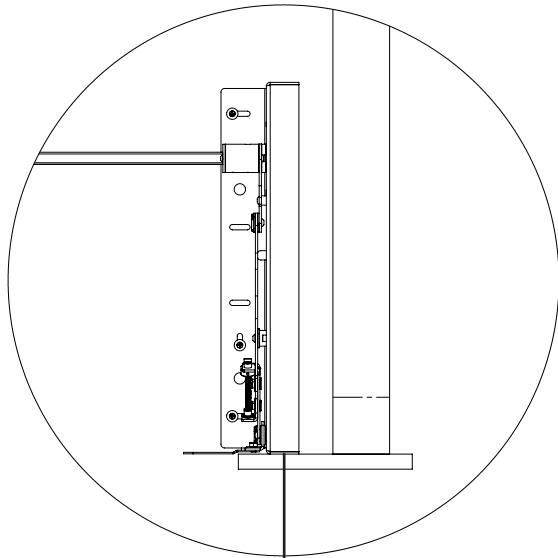
Fix the flap mounting brackets to the drive and slave side as shown below using M6 nuts and washers.



EBF - End Bed Flap

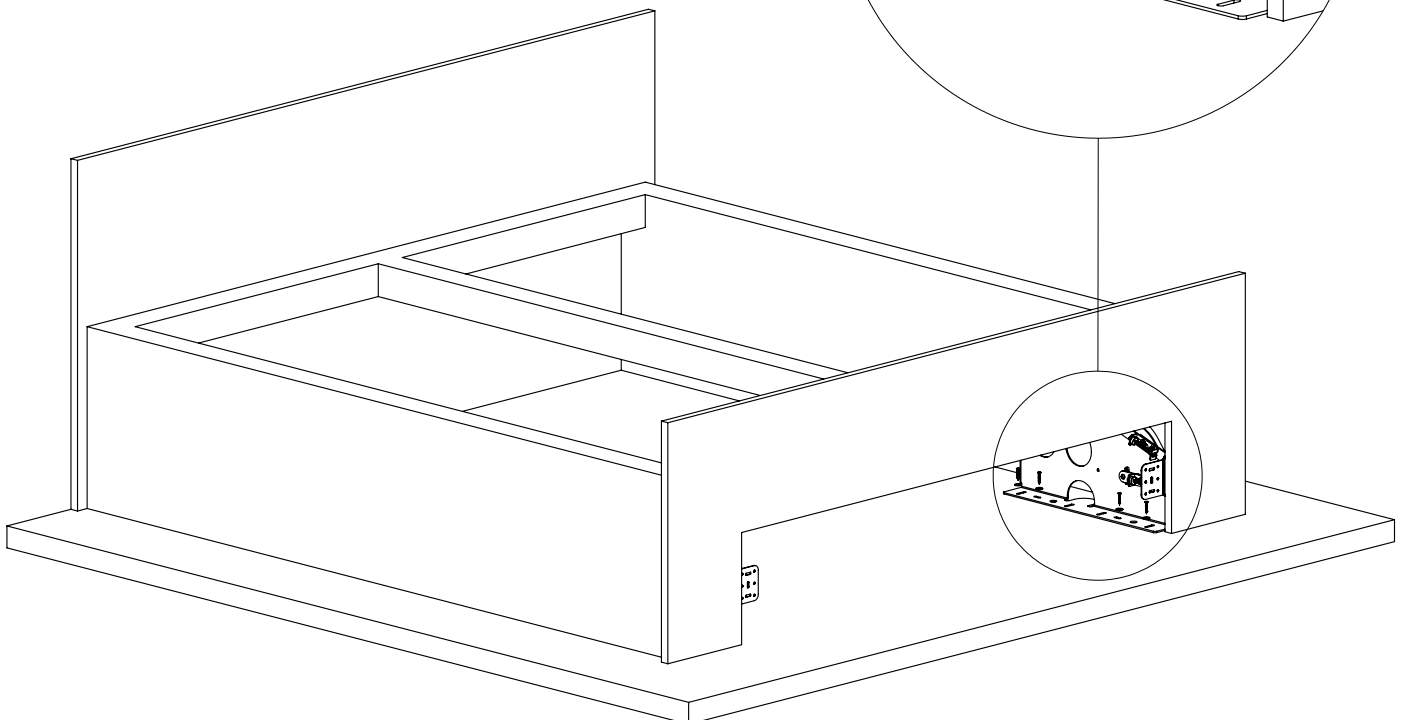
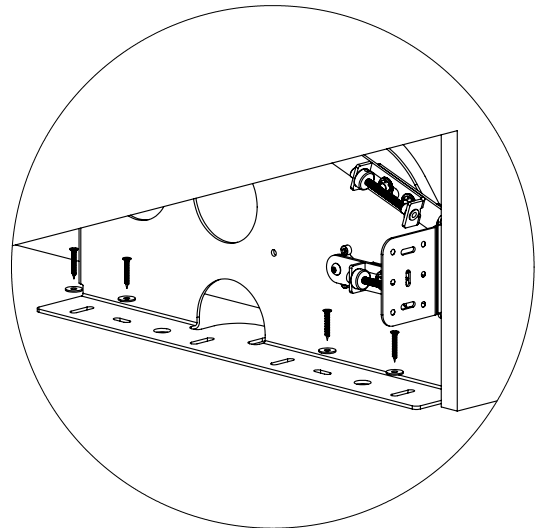


Fixing the drive and slave side units down



Align the sides flush to the internal end of the bed

Fix down to the floor using appropriate fixings



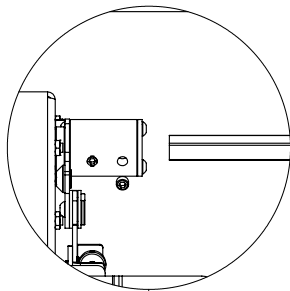
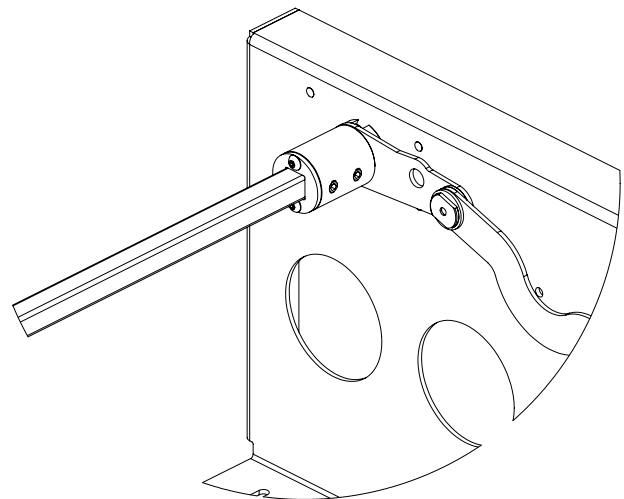
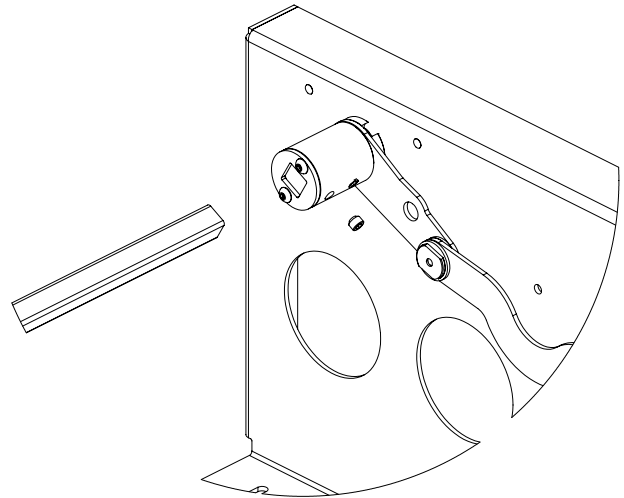
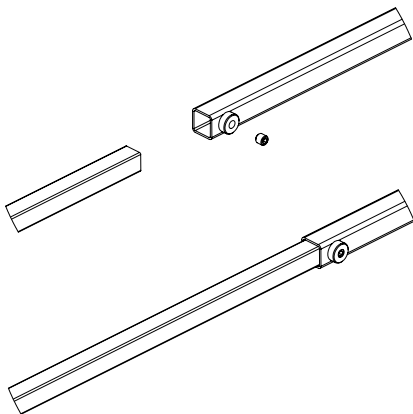
EBF - End Bed Flap



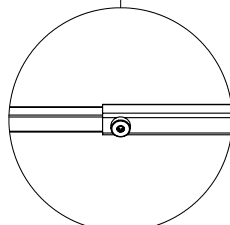
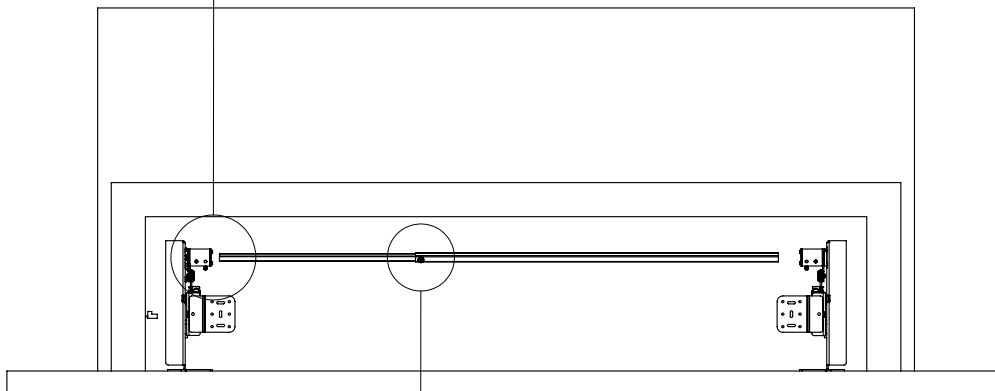
Fix the drive shaft to the side units as shown below

Connecting the drive shaft

To adjust the telescopic width to suit the flap loosen the grub screw and slide in or out to required length



Side Attachment



Telescopic Adjustment

EBF - End Bed Flap



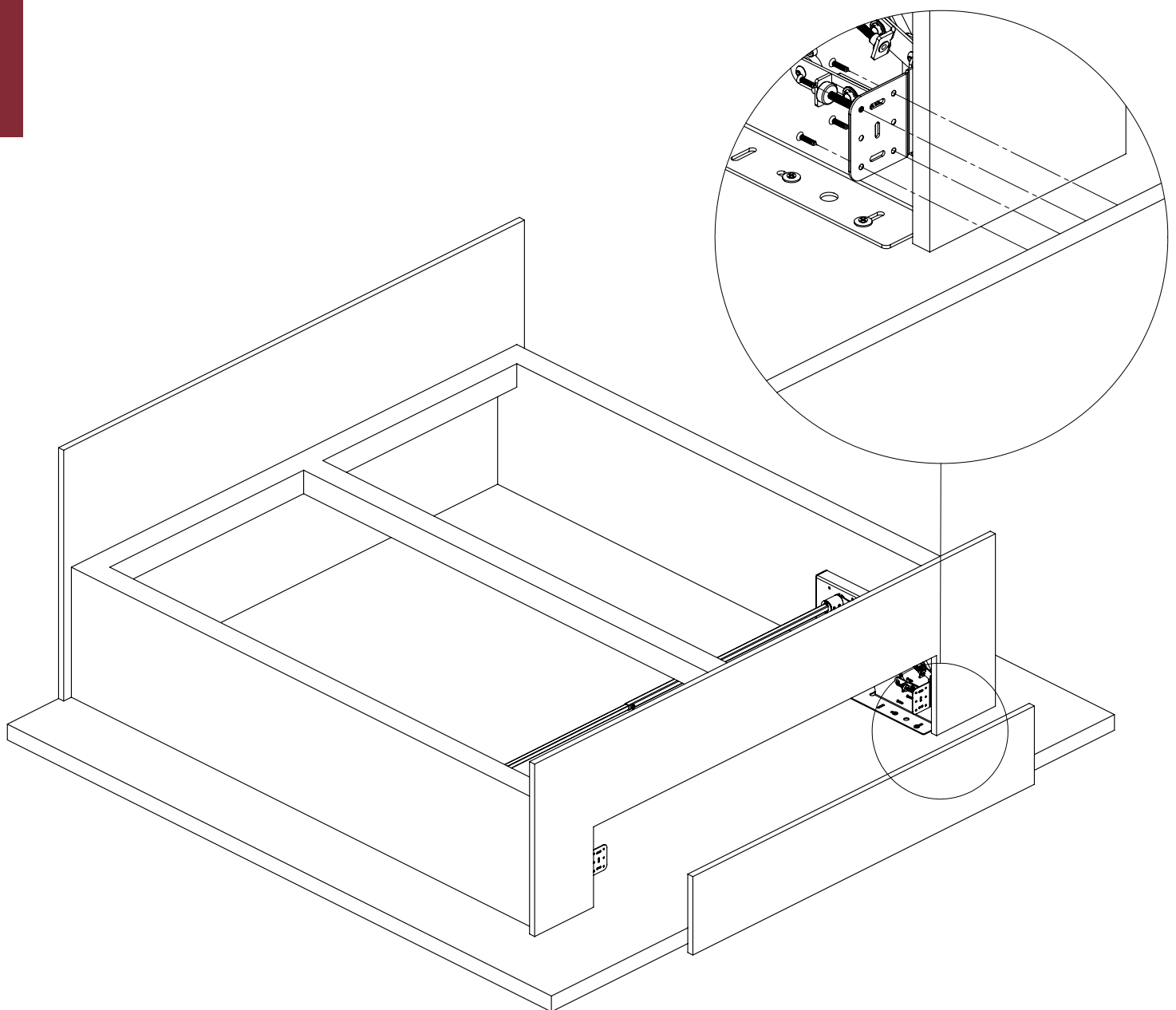
Fixing the Flap

Offer the flap into position through the bed end void and fix through the flap mount brackets on both side.

Try to keep the gap around the flap equal all the way round and the minimum gap should be 3mm [0.1"].

Fix through the flap mount brackets slots first for adjustment.

Once happy with the position use the counter sink holes.



EBF - End Bed Flap



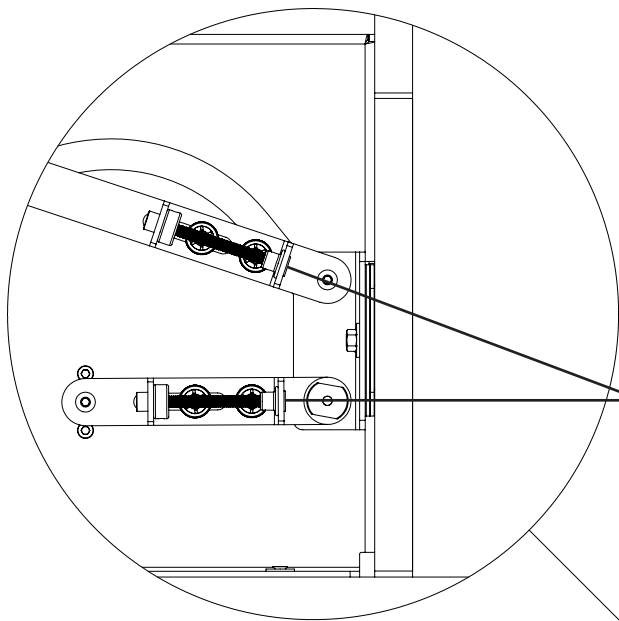
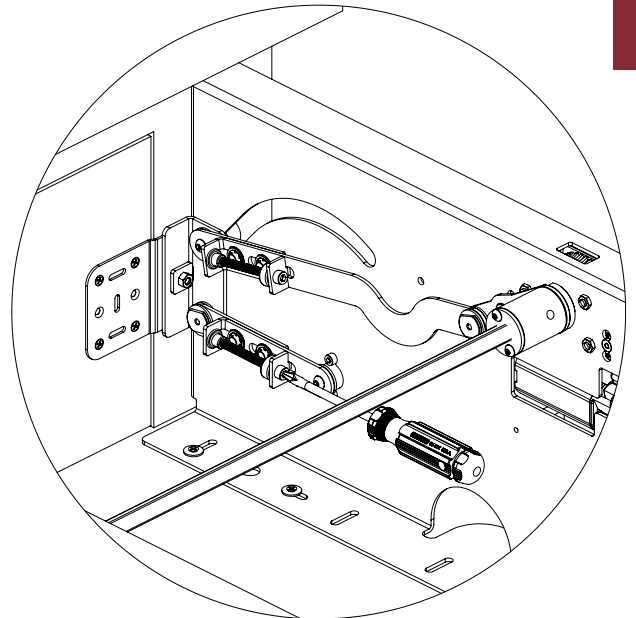
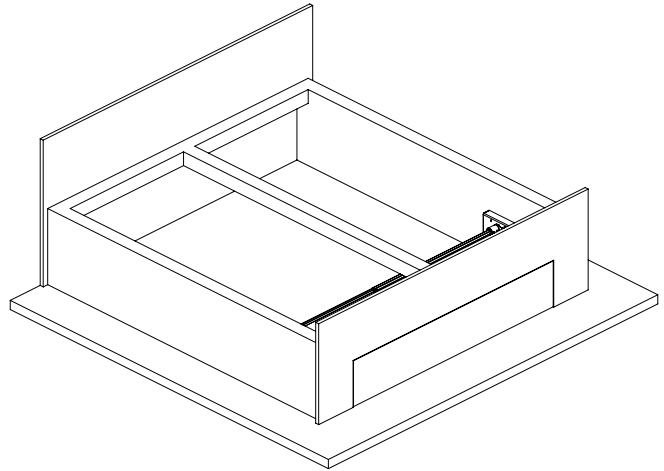
Adjusting the flap

Use the Flap Corner Adjusters on each side to push and pull the flap corners to level the flap with the footboard.

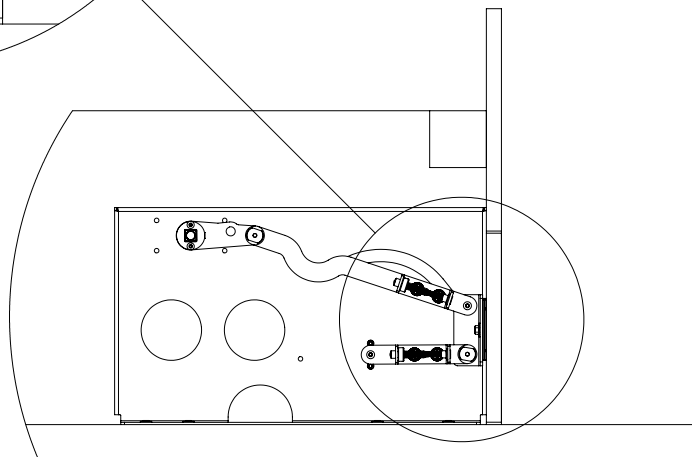
Recommended clearance should be min 3mm [0.1"]

NOTE - These are the only adjustments available. The IN / OUT switch positions are fixed.

Use a ball driver or a allen key to turn the adjustment bolts as shown to the right.



Flap Corner Adjusters



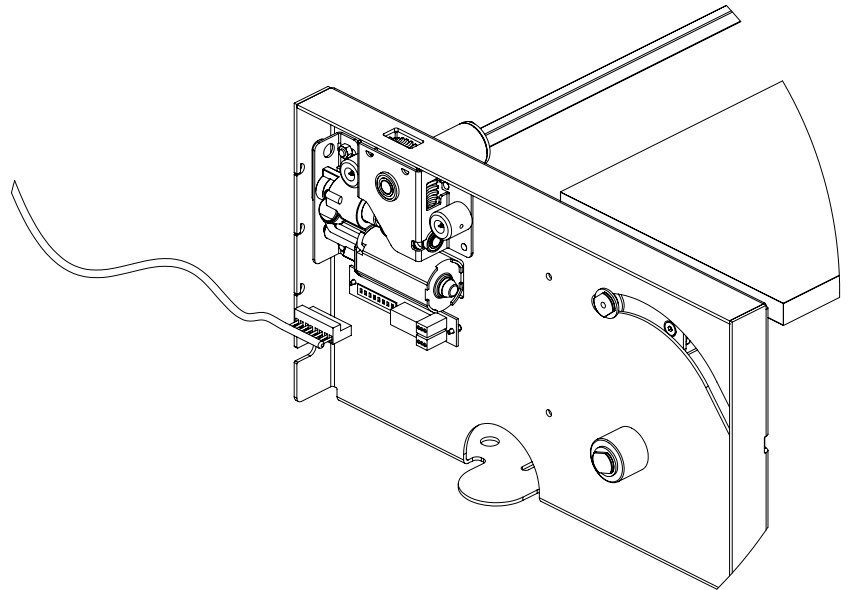
EBF - End Bed Flap



Test and run the flap

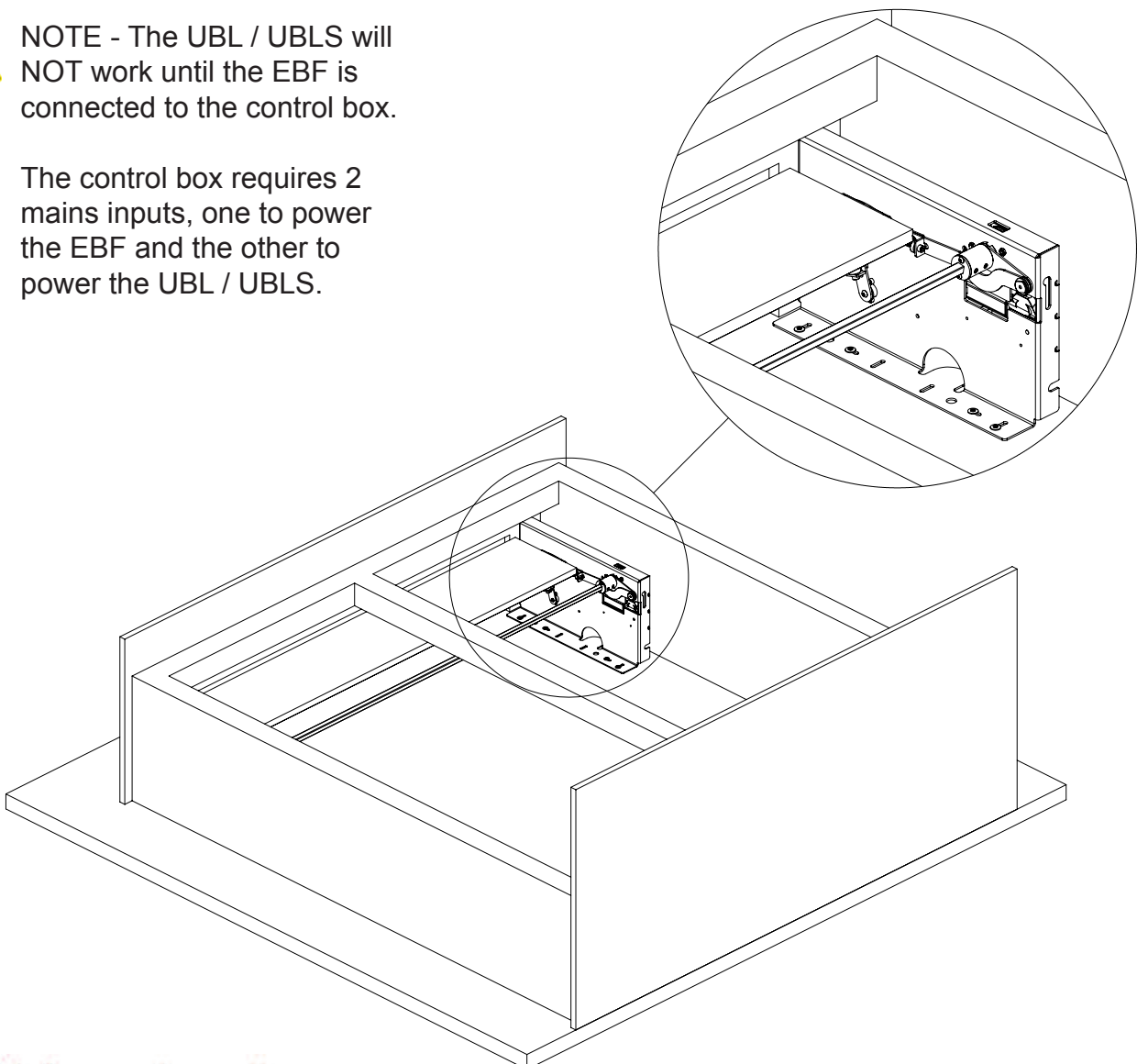
Plug the wiring loom into the drive side as shown

Test the flap and make sure it runs correctly and nothing is in the path of the flap



NOTE - The UBL / UBLS will NOT work until the EBF is connected to the control box.

The control box requires 2 mains inputs, one to power the EBF and the other to power the UBL / UBLS.

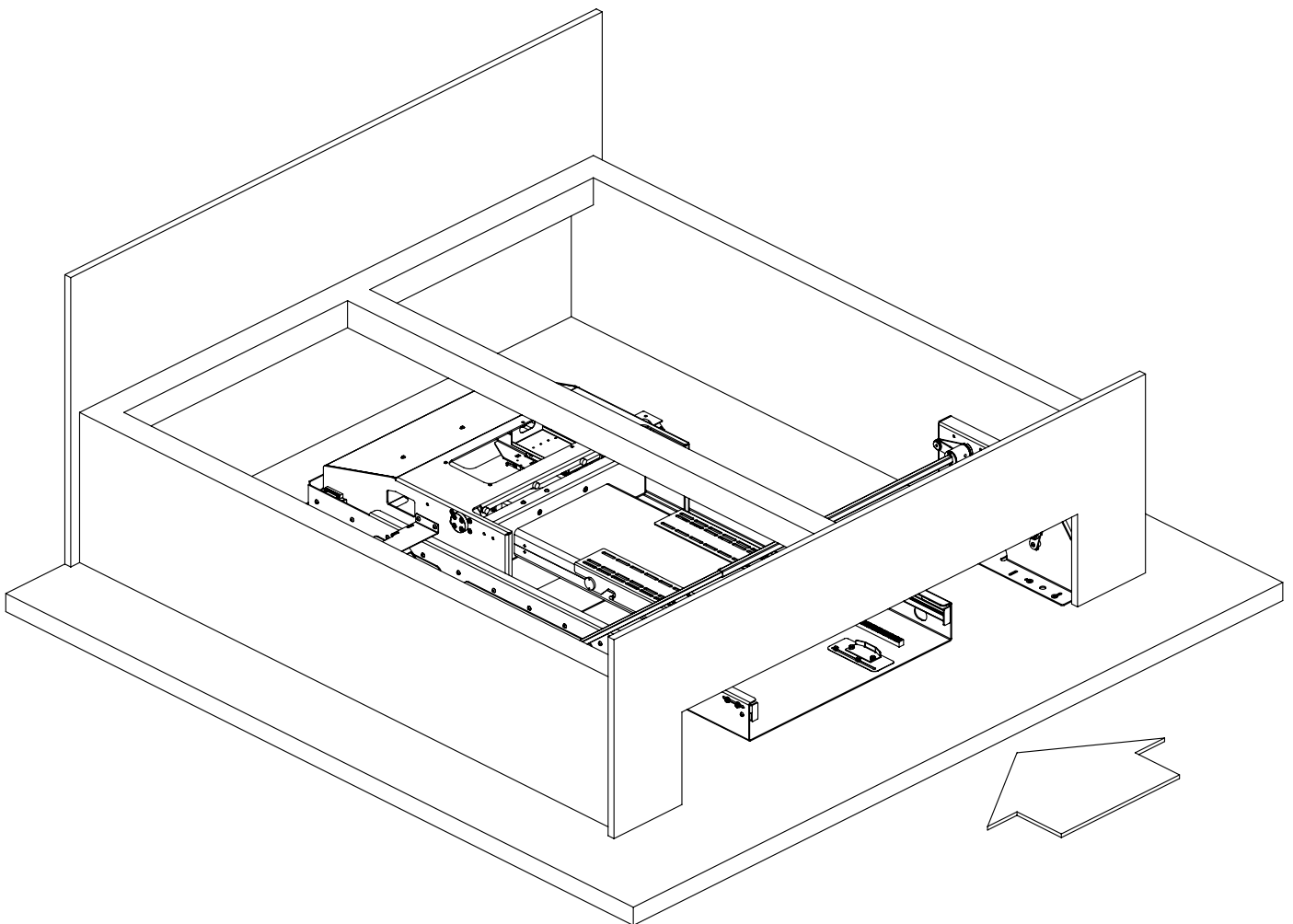


EBF - End Bed Flap



Adding the UBL / UBLS

Finally slide the UBL or UBLS under the bed and fix into place using the Tech Sheet for relevant dimensions





Future Automation

Unit 2 Kimpton Enterprise Park
Claggy Road
Kimpton
Hertfordshire
SG4 8HP
United Kingdom

Tel: +44 (0) 1438 833 577

Fax: +44 (0) 1438 833 565

Email: info@futureautomation.co.uk

www.futureautomation.co.uk