



Wireless

data sheet

RCI-4L

WIRELESS NFC PROGRAMMABLE LATCHING CONTACT INTERFACE UNIT



WHAT IS IT ?

A battery powered interface unit for up to 4 x 2 way latching volt-free switch inputs. Programmed by NFC (Near Field Communication) with macro capability.

Note: This product can only be programmed with a laptop and the Rako RAMPI programming interface.

The RCI-4L is a battery powered interface unit for up to 4 x 2 way latching volt-free switch inputs.



The RCI-4L accepts volt-free latching switch inputs and transmits wireless Rako coded Rakom messages to other Rako wireless receiver and Bridge units.

The module is battery powered and is designed to fit in a standard UK backbox.

Programmable via Rako's patented NFC (Near Field Communication) technology each of the 4 inputs can trigger a single command or start a macro function on each state change of the switch, making the unit the ideal device for integrating third party wall-switches into a Rako environment.



Wireless

data sheet

RCI-4L

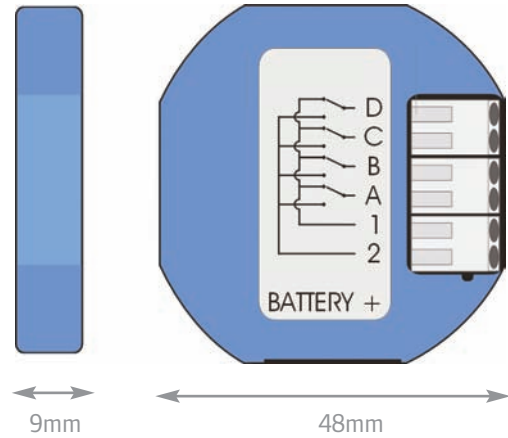
WIRELESS NFC PROGRAMMABLE LATCHING CONTACT INTERFACE UNIT



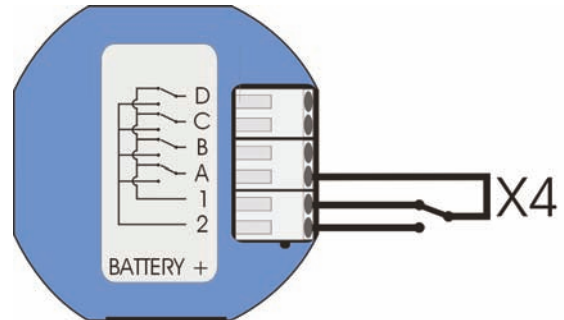
technical data

dimensions	48x48x9mm
input supply	3V DC - 1 x 3V Lithium coin cell CR2032 battery
weight	121g
housing	UL V0 material
climate range	Temperature +2C to +40C Humidity +5% to 95% non condensing
connections	6 way direct push-in Maximum lead length 300mm
terminal sizes	0.75mm ² max
standards	Emissions - EN61000-6-3 : 2007 Immunity - EN61000-6-1 : 2007
communication	Rakom coded fm radio, 433.9MHz
memory	Flash memory (non volatile)

mechanical data



connection details



telephone +44 (0) 1634 226666 fax +44 (0) 1634 226667 www.rakocontrols.com

WE RESERVE THE RIGHT TO CHANGE THE SPECIFICATION AND DATA HEREWITH WITHOUT NOTICE.

© 2015 RAKO CONTROLS LIMITED