

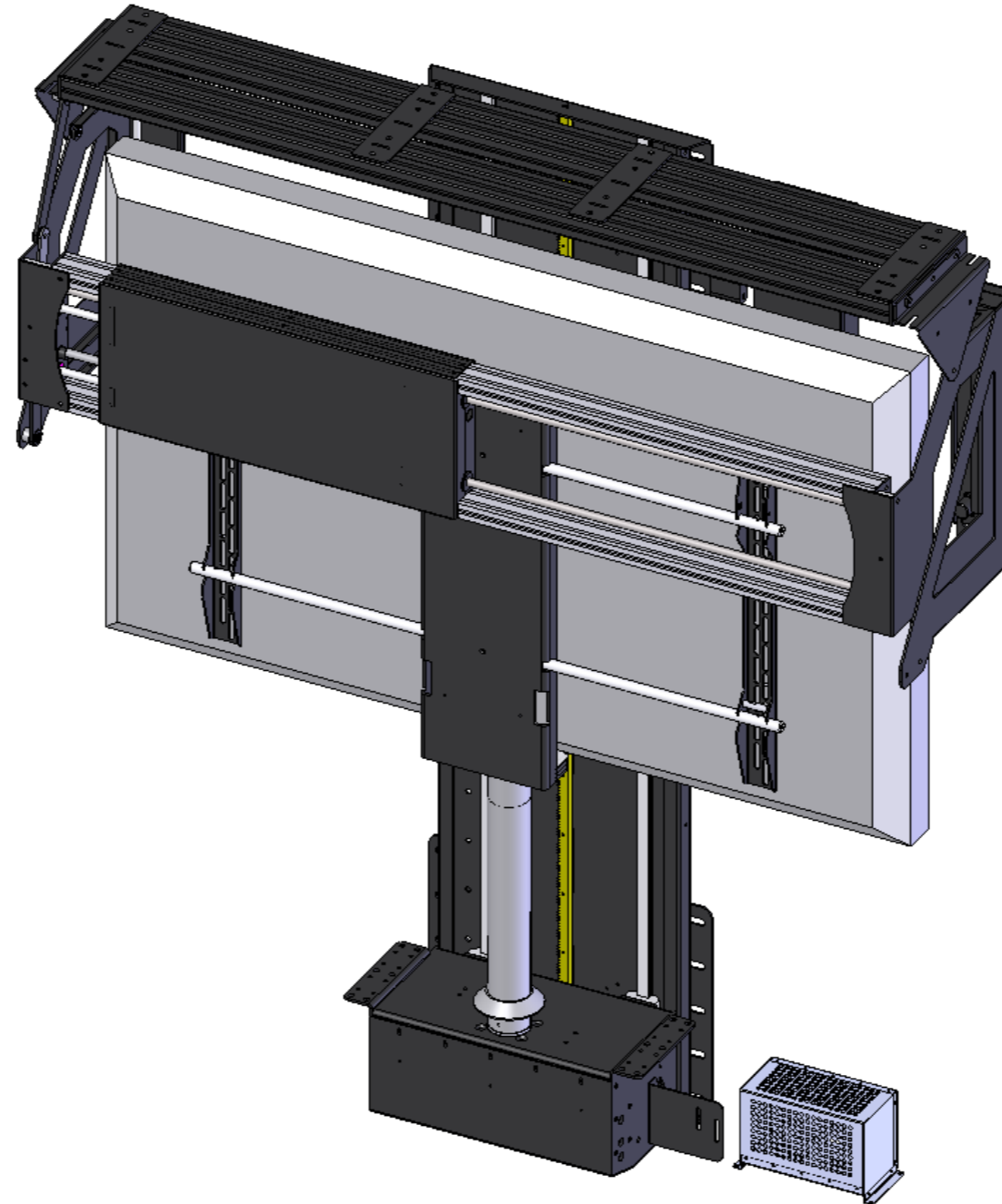


### DESIGN HIGHLIGHTS

- Quiet smooth action with variable speed motion
- Full cable management
- Stylish look and finish
- Wide range of mounting options

### OPTIONS

- Marine suitable option
- Swivelling version with 180 degree swivel to the left and right. Swivelling version has three learnable preset positions.
- B and O and Loewe Mount Options.
- Telescopic versions for restricted floor depths.



### FUNCTION

An electric lift to reveal a television from a floor. A separate electric walk on flap is included.

### SUITABILITY

This product can be custom made to suit any screen from 32" to 85".  
Maximum Load is 120Kg [265lb]

### SPECIFYING

A fully waterproof floor recess is required to install the mechanism. Various floor finishes can be accommodated.

### CONTROL

Supplied with basic infrared remote. Can be learnt by many learning remotes.

Also has switch control and RS232 so can be operated by relays, switches, Crestron / AMX or Lutron systems.

### WARNING

**It is the responsibility of the installer to warn all potential end users of the dangers of interfering with mechanisms during operation**

### IMPORTANT

**Mechanisms which lift or move weights need to be checked on a yearly basis for any damage which may result in an accident**

The mechanism is supplied as two parts. An electric flap mechanism and the main lift mechanism. Use the chosen screen size to determine the mechanisms required.

For example: A Screen of 1650mm[65.0"] width and 960mm[37.8"] height would fit in a lift with reference PLF H1910 W1820.

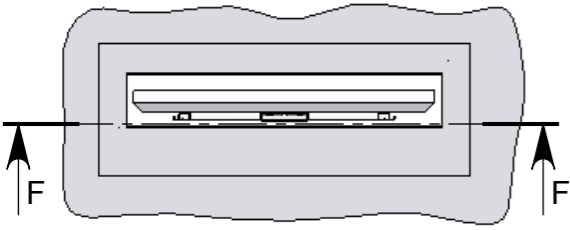
A custom height pole can be used by changing the overall lift height. The swivelling version (PLFS) has the same dimensions. Other widths and heights available.

Maximum Screen Thickness - 160mm [6.3"]

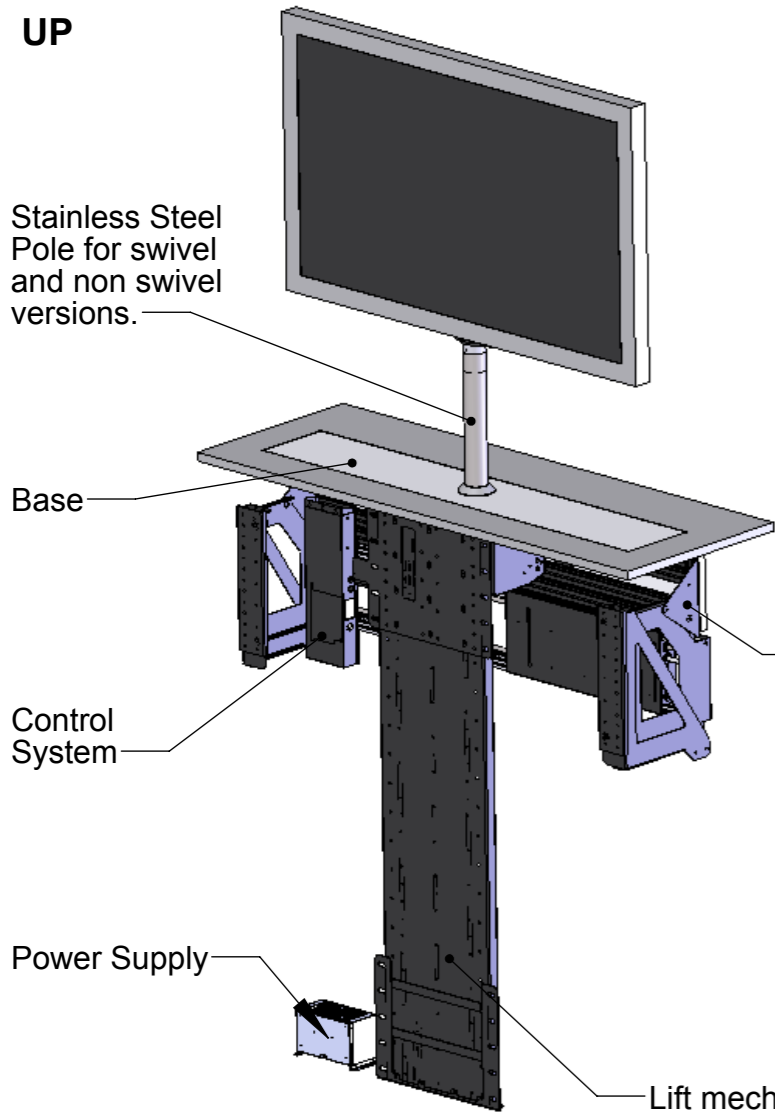
Mechanism Height	Maximum Screen Height	Floor Recess Height	Pole Height
H2010	1060[41.7]	2010[79.1]	500[19.7]
H1910	960[37.8]	1910[75.2]	500[19.7]
H1810	860[33.8]	1810[71.3]	500[19.7]

Mechanism Width	Maximum Screen Width	Floor Recess Width	Base/Flap Width
W1520	1350[53.1]	1520[59.8]	1370[53.9]
W1620	1450[57.1]	1620[63.8]	1470[57.9]
W1720	1550[61.0]	1720[67.7]	1570[61.8]
W1820	1650[65.0]	1820[71.7]	1670[65.7]

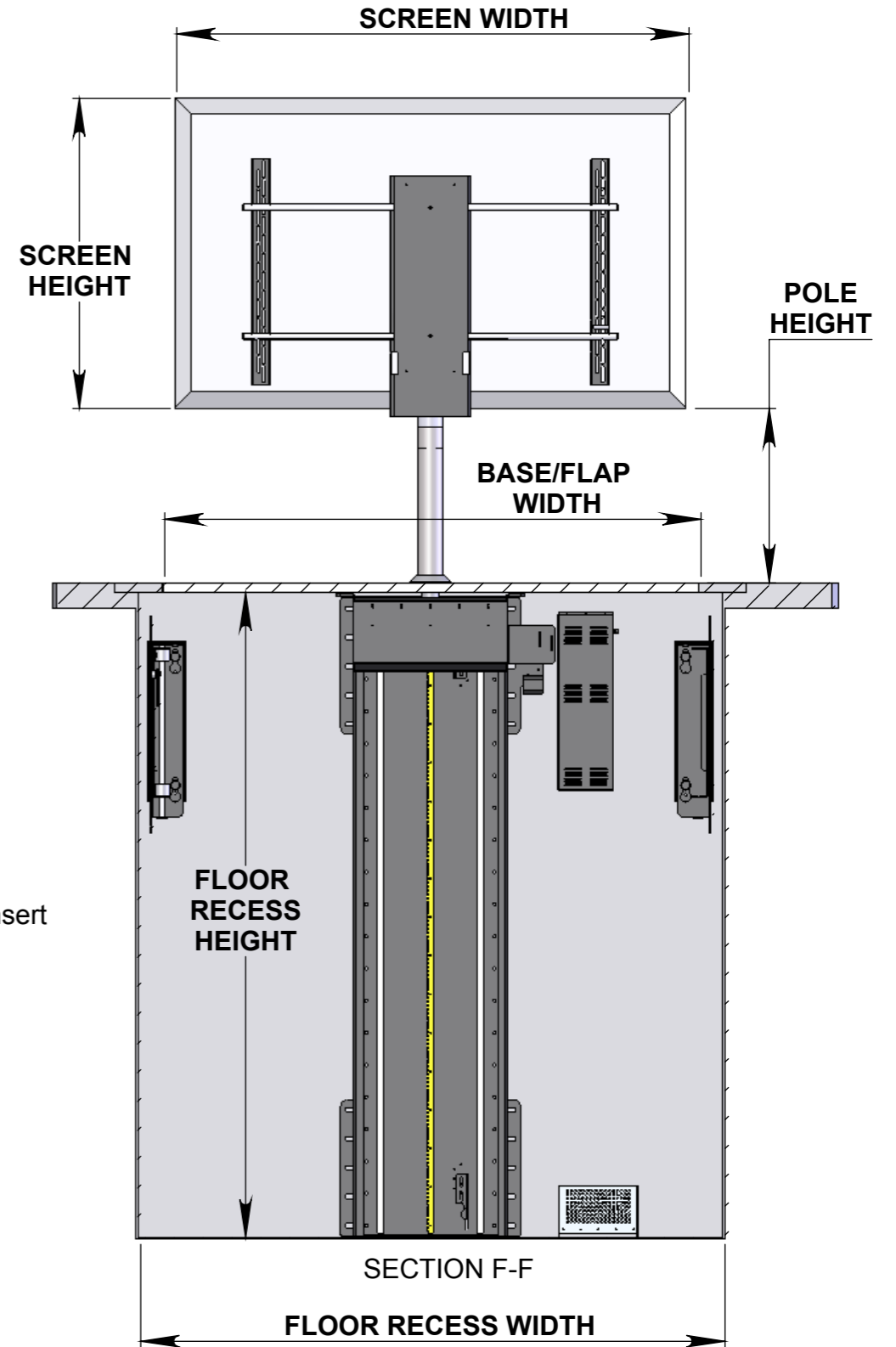
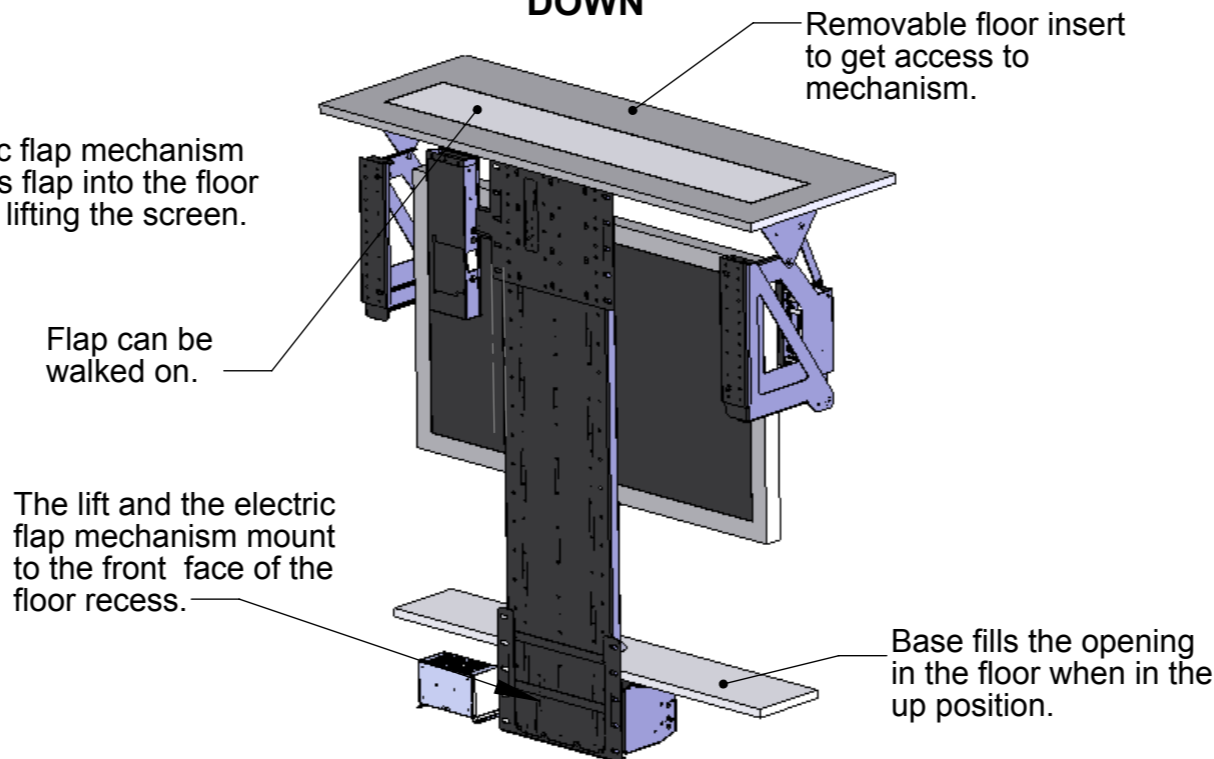
PLAN



UP

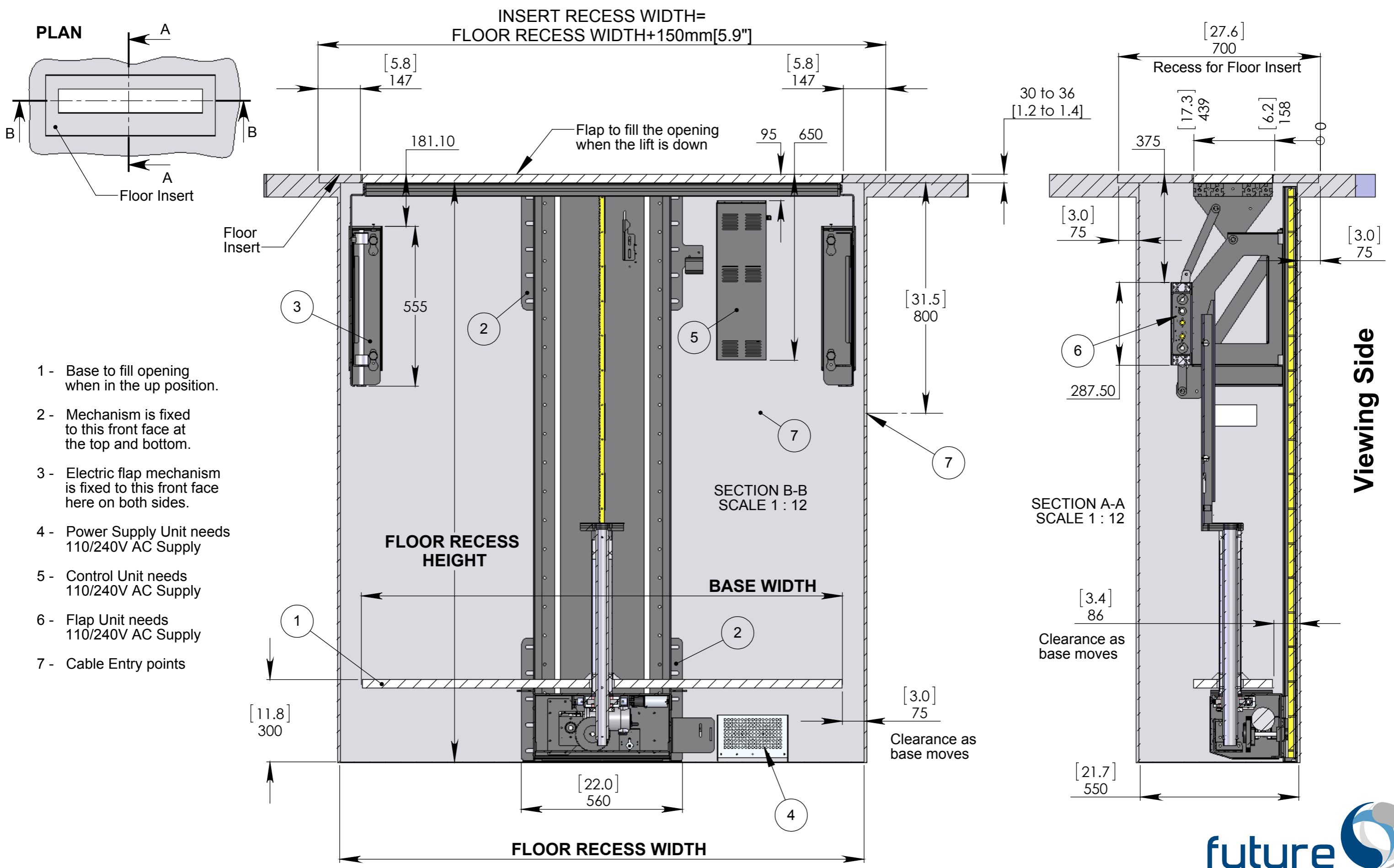


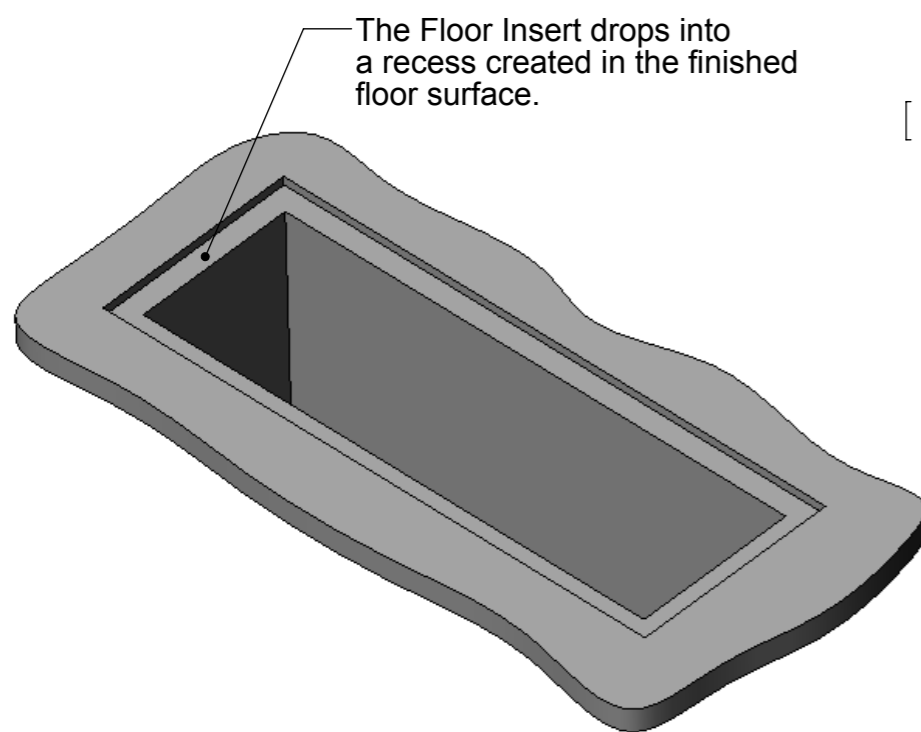
DOWN



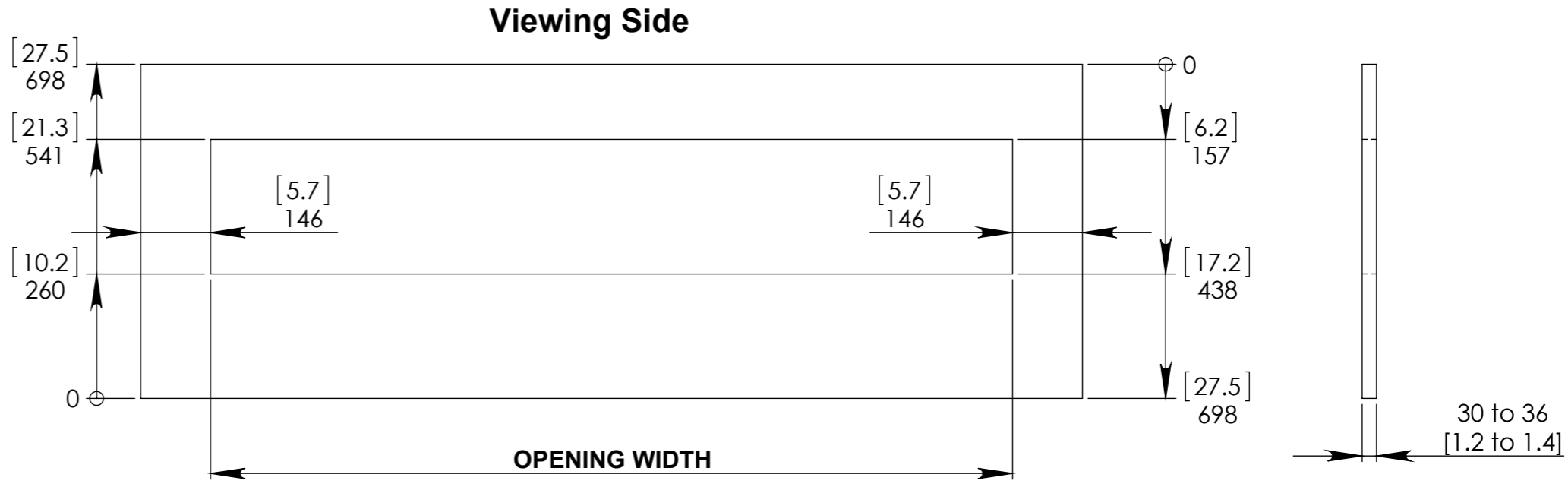
# PLF - Plasma Floor Lift

## Technical Sheet



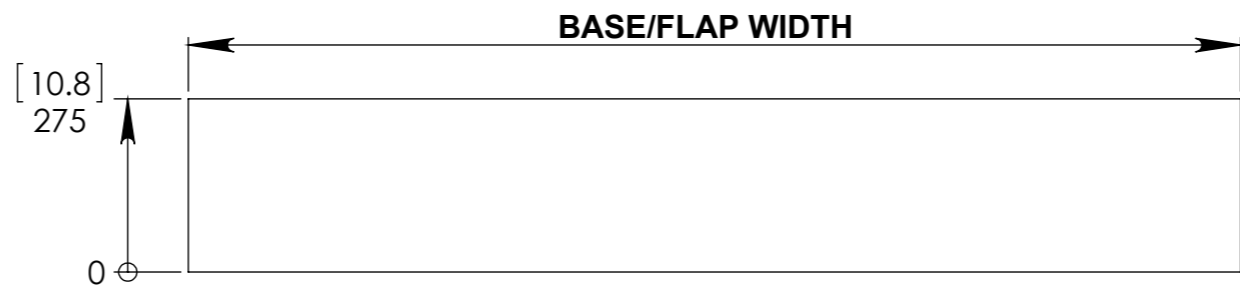


### FLOOR INSERT

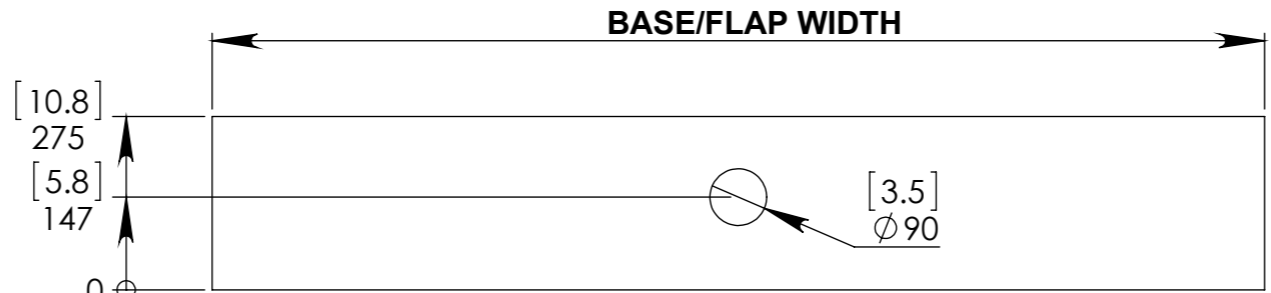


### FLAP

OPENING WIDTH = BASE/FLAP WIDTH + 6mm [0.25] The Base and the Flap will fill the opening in the floor insert with a gap of 3mm [1/8"] around the edge.



### BASE

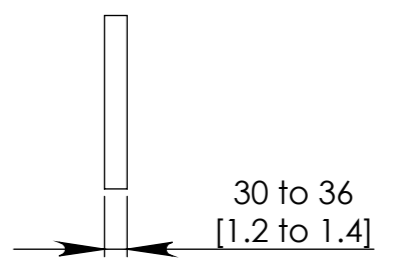
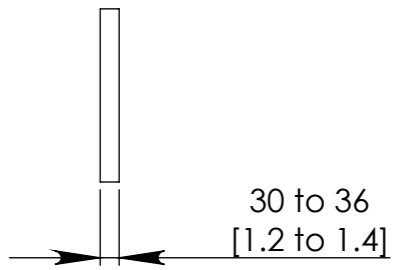


**Viewing Side**

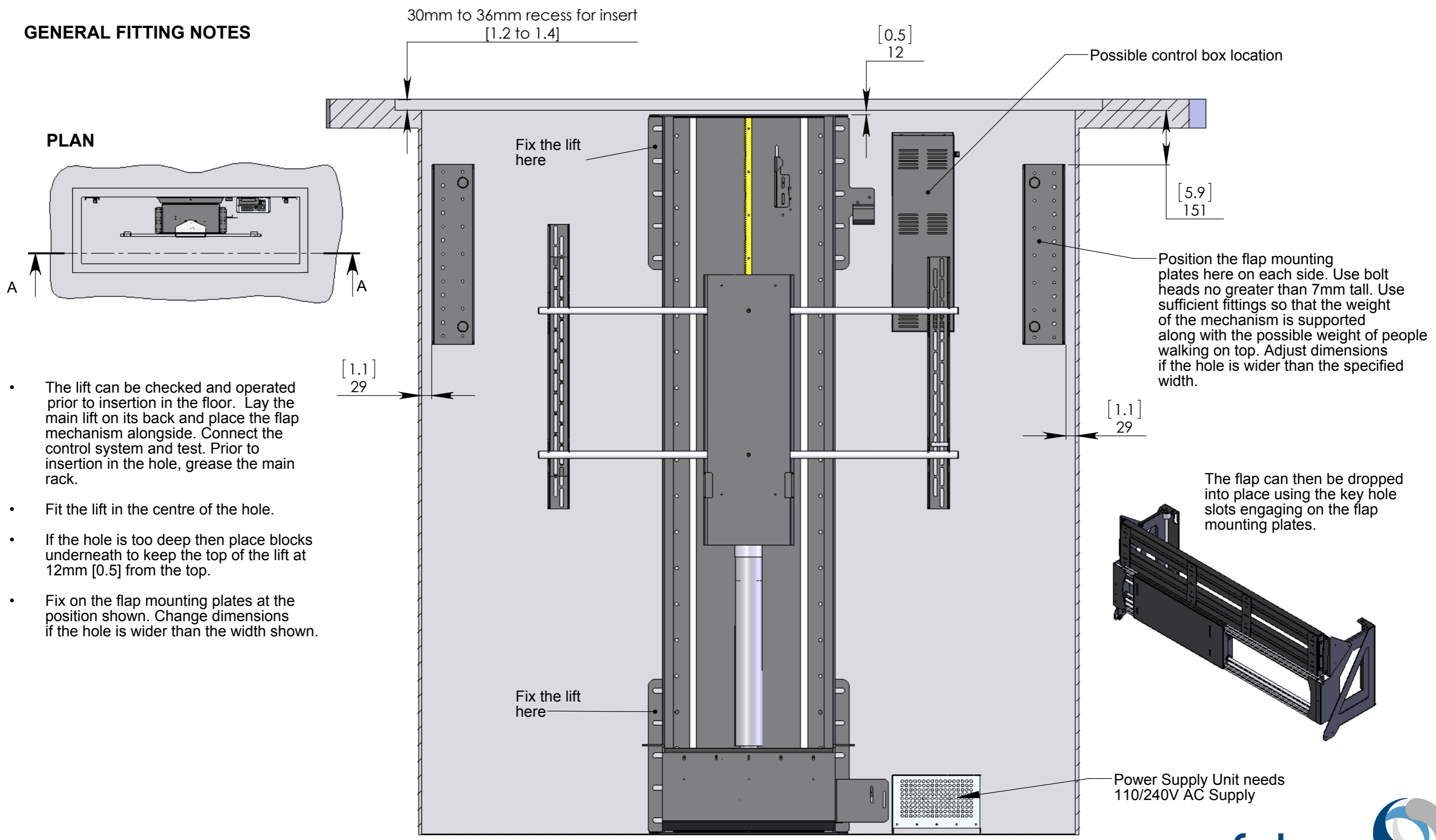
The Floor Insert, Base and Flap all need to be made from the finished floor material. This can be timber, stone or carpet (over timber).

The maximum weight of the Base or Flap must be no more than 25Kg [55lb].

Stone or tiles can be used. To simplify the installation attach to an 18mm [0.75] piece of plywood. Up to 18mm of stone attached to 18mm of plywood will give the maximum thickness of 36mm [1.5].



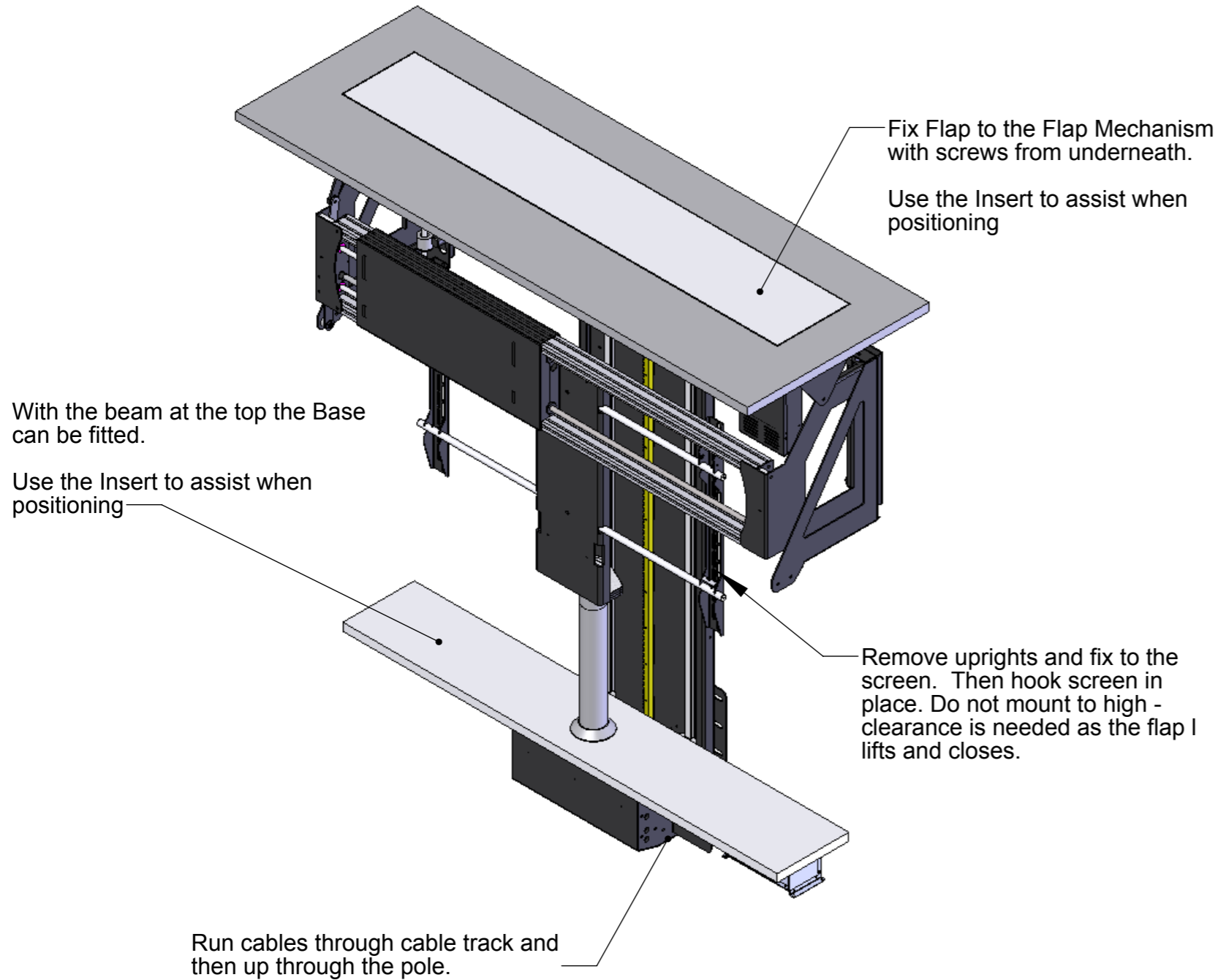
### GENERAL FITTING NOTES



- The lift can be checked and operated prior to insertion in the floor. Lay the main lift on its back and place the flap mechanism alongside. Connect the control system and test. Prior to insertion in the hole, grease the main rack.
- Fit the lift in the centre of the hole.
- If the hole is too deep then place blocks underneath to keep the top of the lift at 12mm [0.5] from the top.
- Fix on the flap mounting plates at the position shown. Change dimensions if the hole is wider than the width shown.

SECTION A-A  
SCALE 1 : 10

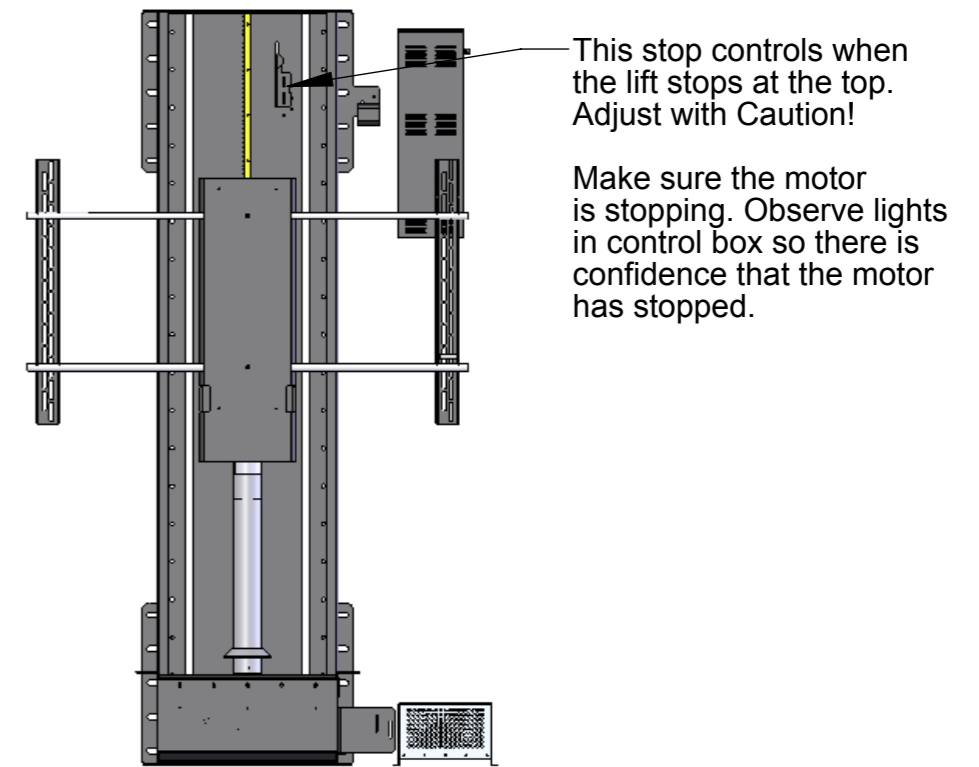
### GENERAL FITTING NOTES



### WARNING

Always cover the STOP button on the remote when moving the mechanisms after fitting new parts.

### UP SWITCH ADJUST



### FLAP ADJUST

