



Wired

data sheet

WSR-DALI

ADDRESSABLE DALI CONTROL MODULE FOR RAKO WIRED NETWORK



WHAT IS IT ?

The WSRDALI is a wired control module with outputs to control 15 channels of addressable DALI fittings in a single Rako Room.

Individual DALI fittings can be grouped to Rako channels and the unit includes an address recovery function allowing should one DALI fitting need replacing.

The WSRDALI is a Rako wired system control module giving control of up to 15 addressable channels of DALI controllable fittings in a single Rako Room.



ADDRESSABLE DALI CONTROL

The WSRDALI allows a wireless Rako system to have addressable control of DALI light fittings. The module is complete with an 18V DC power supply that powers the DALI network.

Programming is achieved with Rasoft Pro and allows Auto addressing of DALI devices. Swap, Move and Group functions allow the user to achieve a logical arrangement of devices for programming.

The WSRDALI controls up to 64 DALI devices grouped to 15 channels of control in a single Rako Room.

Note: The WSRDALI is not supported by Rasoft Classic Software.



Wired



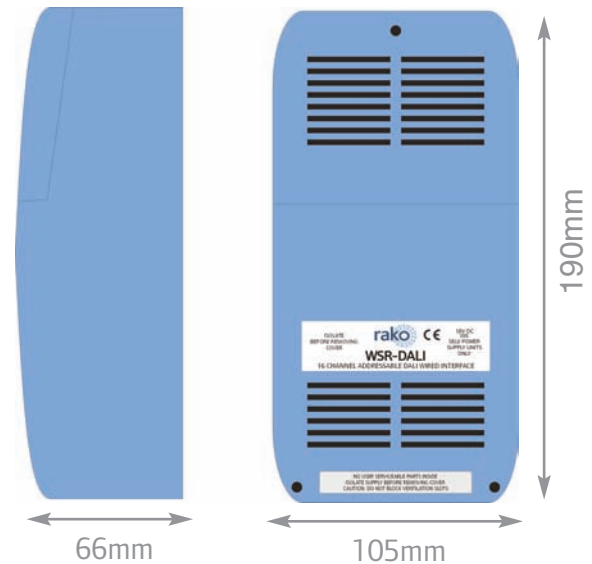
data sheet WSR-DALI

ADDRESSABLE DALI CONTROL MODULE FOR RAKO WIRED NETWORK

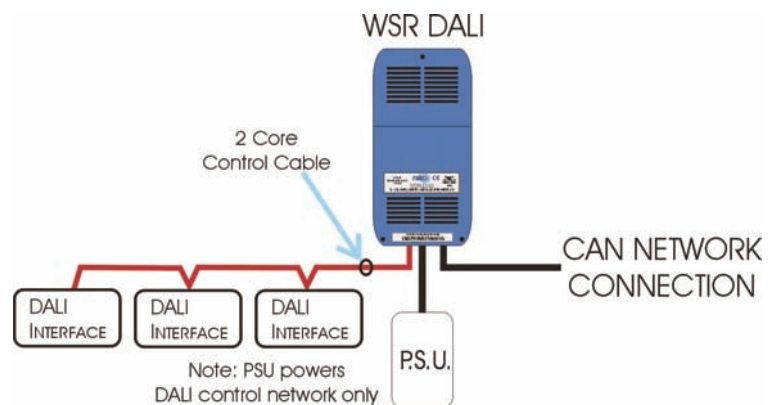
technical data

dimensions	190x105x66mm
input supply	18V DC
dali connections	4 way screw terminal for loop in loop out
housing	UL V0 ABS
weight	320g
climate range	Temperature +2C to +40C Humidity +5% - 90% non condensing
rakom cable type	UTP CAT5e or CAT6
rakom terminals	RJ11 Socket or Krone Connector
standards	Emissions - EN61000-6-3 : 2007 Immunity - EN61000-6-1 : 2007 LVD - EN 60950-1 :2006
communication	Rakom Wired Network

mechanical data



connection details



telephone +44 (0) 1634 226666 fax +44 (0) 1634 226667 www.rakocontrols.com

WE RESERVE THE RIGHT TO CHANGE THE SPECIFICATION AND DATA HERewith WITHOUT NOTICE.

© 2016 RAKO CONTROLS LIMITED