

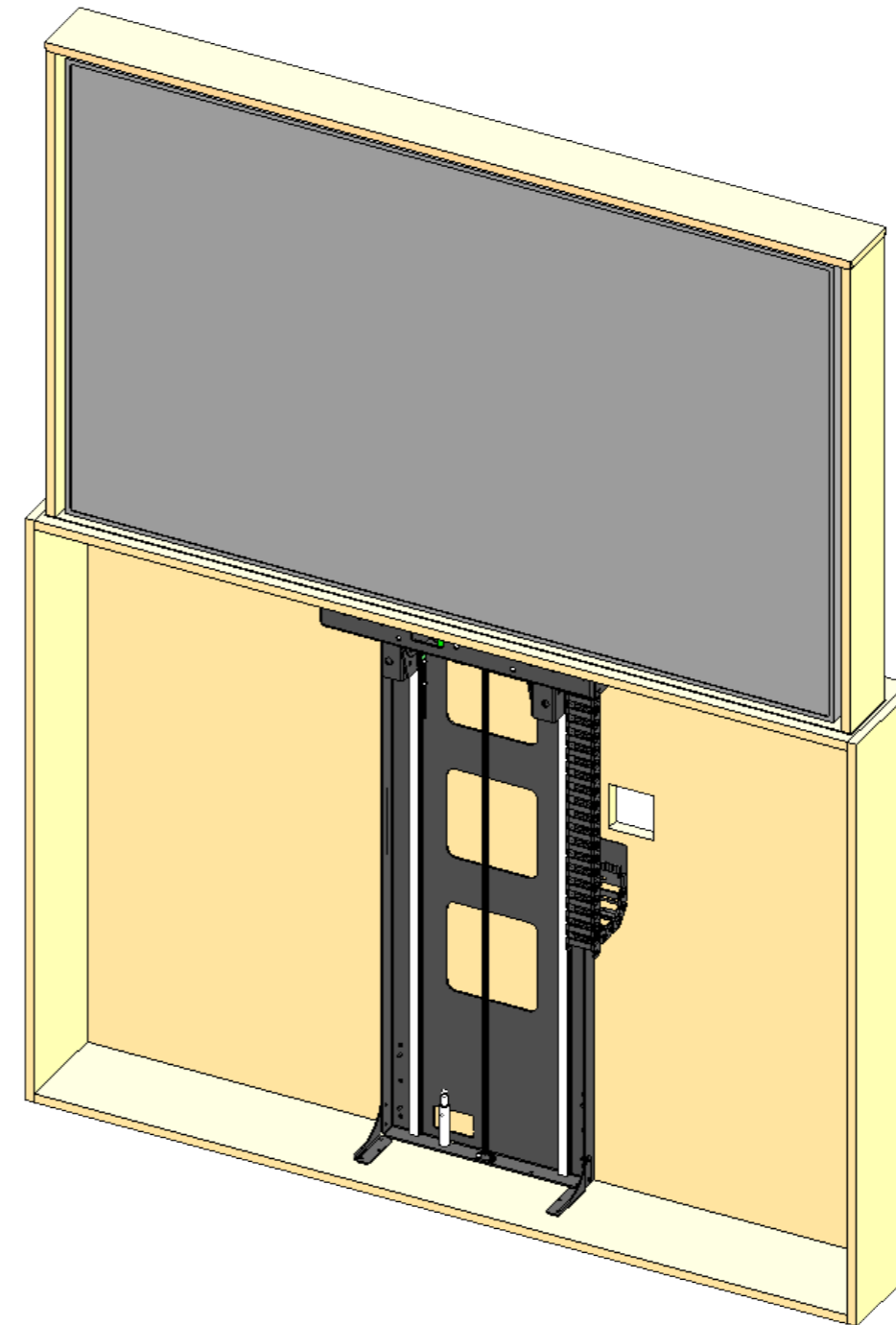
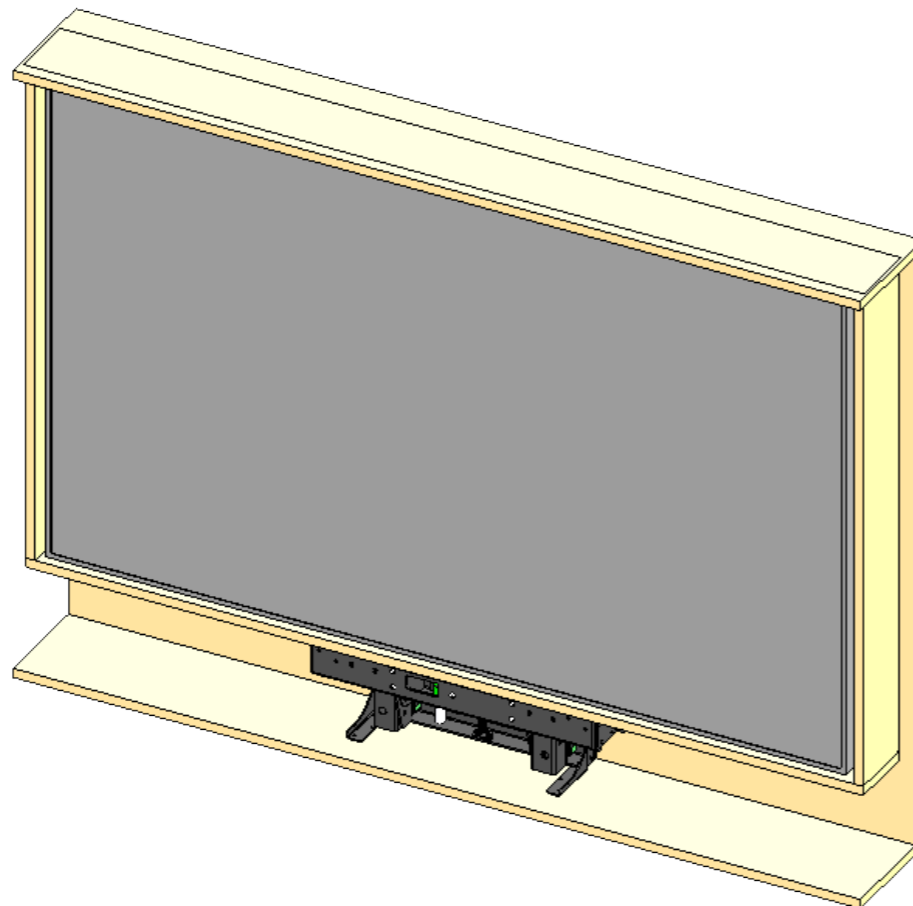


DESIGN HIGHLIGHTS

- Quiet smooth lifting action at approximately 40mm [1.6] per second
- Full cable management
- Wide range of mounting options
- 24V DC motor. Suitable for direct DC supply
- Marine suitable robust beam

OPTIONS

- Electric Flap Actuator
- Push Up Flap
- Fixed Screen Lid
- Custom screen back cover
- Lighter duty option



FUNCTION

An electric mechanism to lift a flat screen television. Suitable for marine use. Shown here for use with an enclosed screen.

SUITABILITY

Suitable for a total lifting weight of 80Kg [176lbs] or 40Kg [88lbs] in a marine environment. This is the weight of the screen and box enclosure that is made by others. This enclosure can easily take 10Kg [22lbs] of the total capacity.

Maximum screen height
1025mm [40.3]

Minimum Screen Height
935mm [36.8]

Lift systems to suit other screen heights are available.

SPECIFYING

Check screen mounting details and request a suitable mount plate.

Check for screen connectors that may add to screen depth.

CONTROL

Supplied with basic infrared remote. Can be learnt by many learning remotes.

Also has switch control and RS232 so can be operated by relays, switches, Crestron / AMX or Lutron systems.

WARNING

It is the responsibility of the installer to warn all potential end users of the dangers of interfering with mechanisms during operation

IMPORTANT

Mechanisms which lift or move weights need to be checked on a yearly basis for any damage which may result in an accident

Design Highlights

A space efficient and robust lifting mechanism, suitable for use in marine environments.

The Box Enclosure gives the product a neat finish, concealing all screen connections.

A robust 24V DC motor with a purpose made lead screw enables a quiet and smooth lifting action at approximately 40mm [1.6] per second.

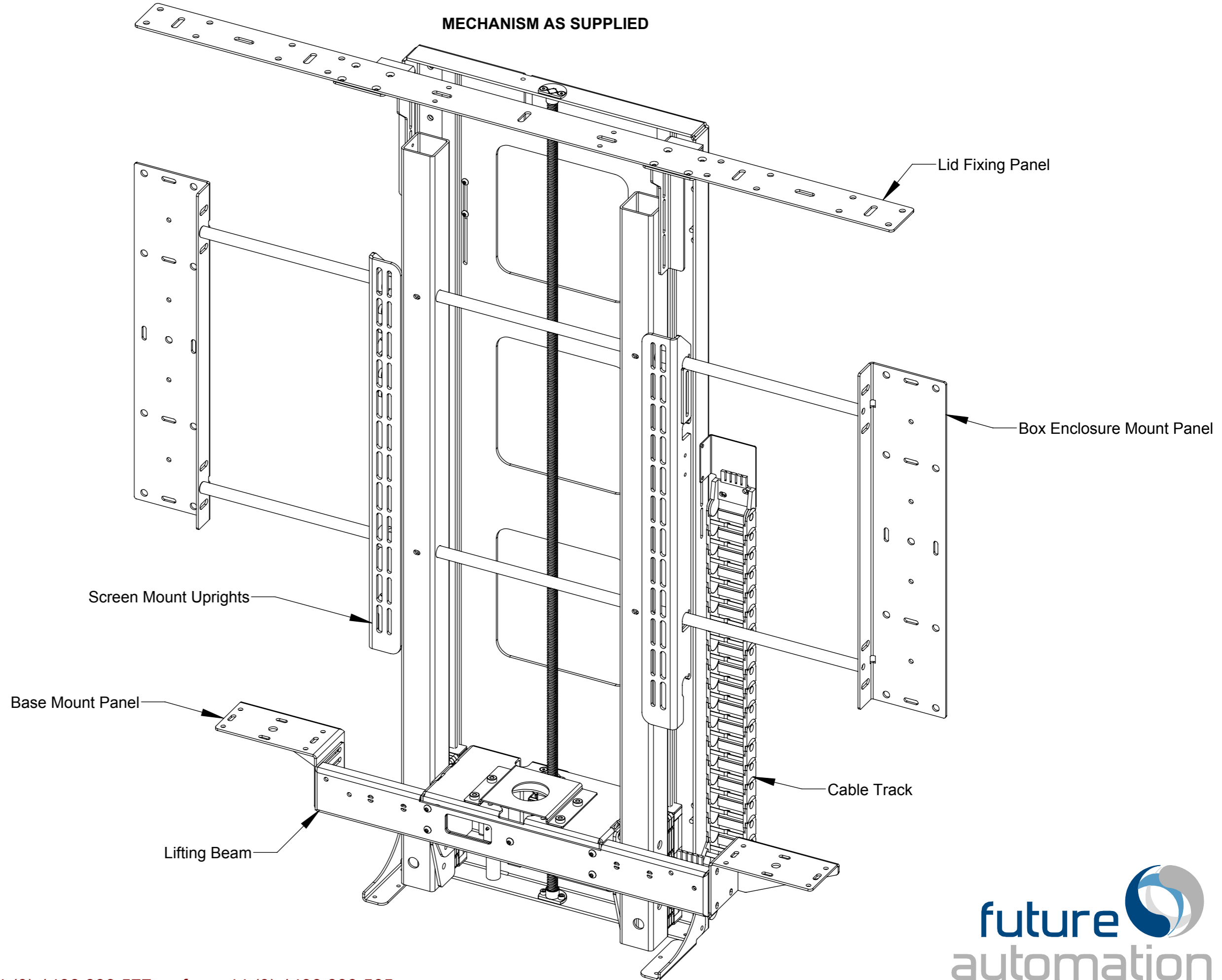
High precision linear guideways ensure stability and durability of the beam to prevent any unwanted movement of the screen.

Adjustable UP and DOWN positions allow for a precise final setup within the cabinet.

The safety switched base reduces the risk of damage to the mechanism or injury to the user by cutting power to the motor when there is an obstruction between the cabinet and base panel.

Full cable management protects all screen and power cables from damage and is easily accessible for future changes to the AV setup.

A wide range of mounting options are available to suit different screens and speaker arrangements.

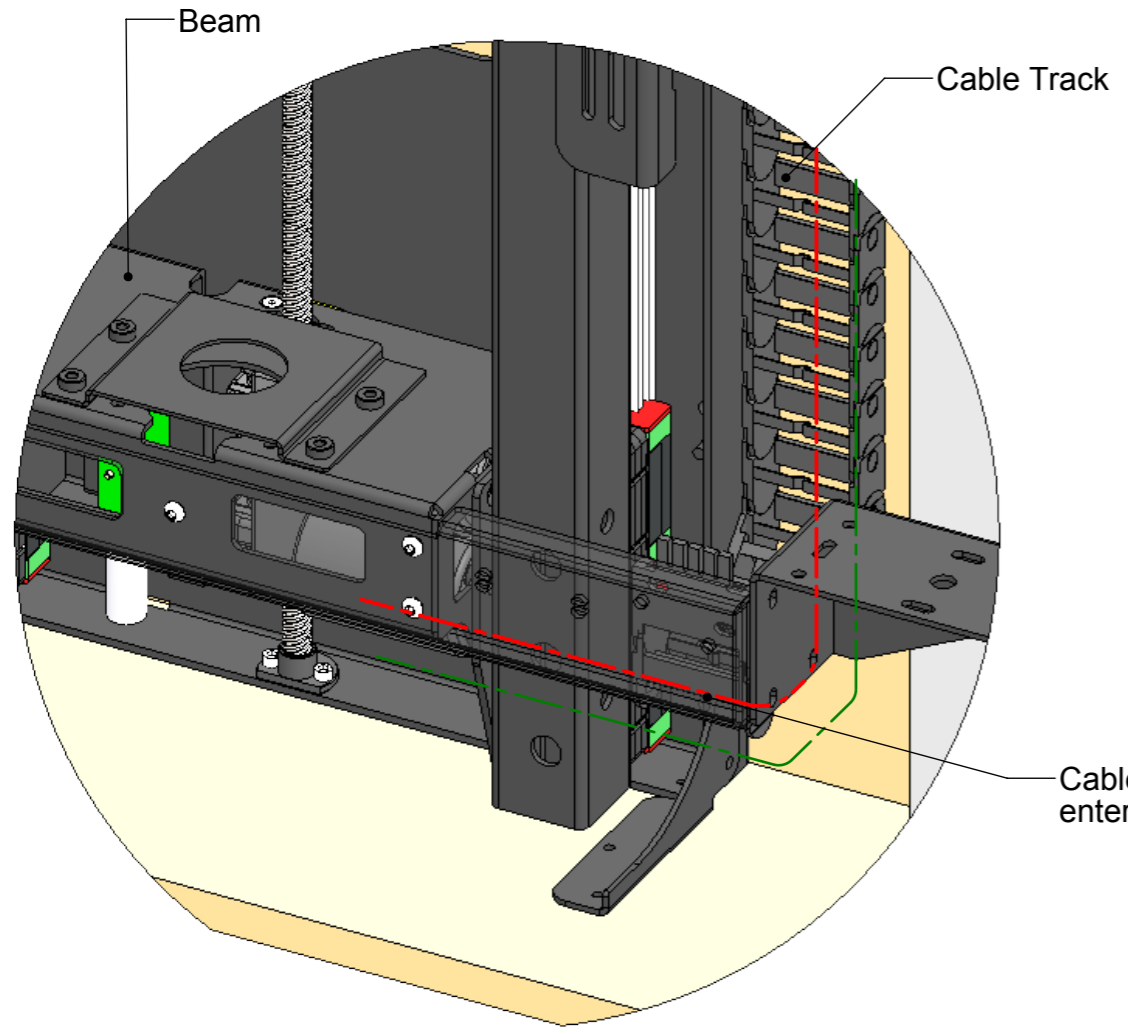


Cable Routing

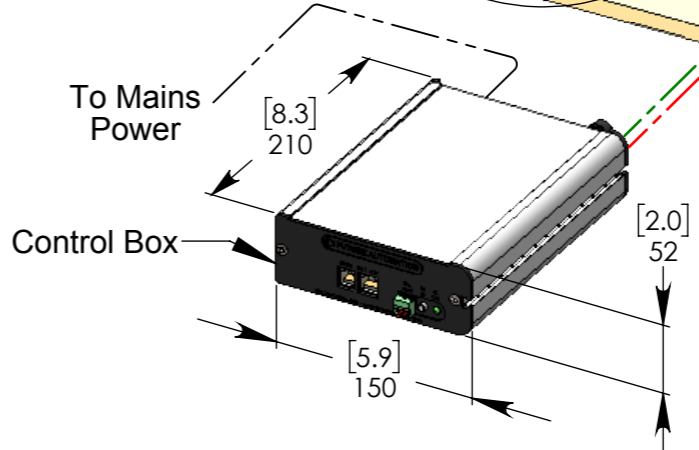
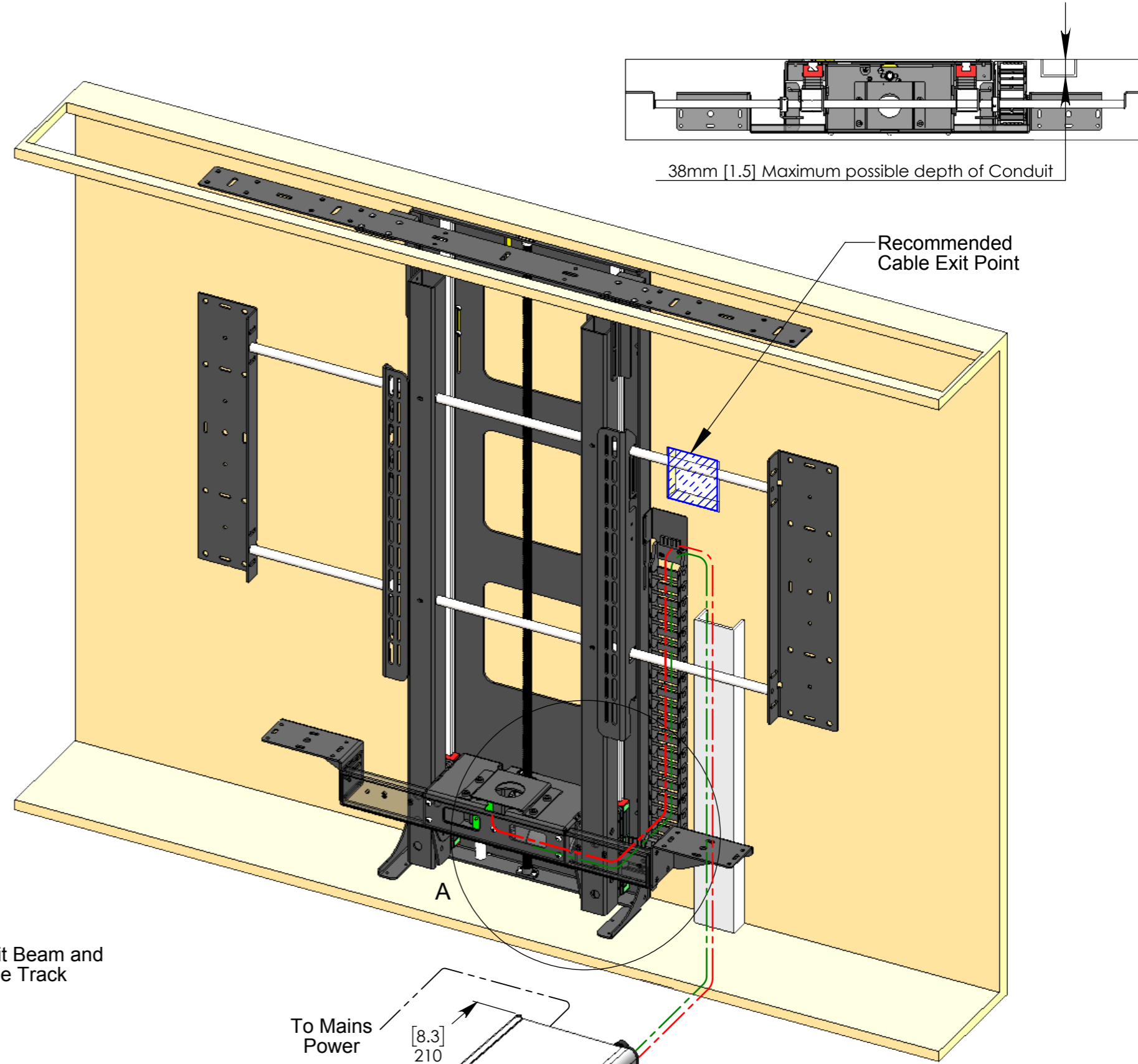
Cables travel through a hole in the the centre of the Base Panel and into the Beam. Cables must be routed carefully to prevent any interference with the LSM beam as it operates.

Screen and Mechanism cables should be routed to a control box outside of the cabinet via an opening in the back of the cabinet or a conduit leading to the bottom.

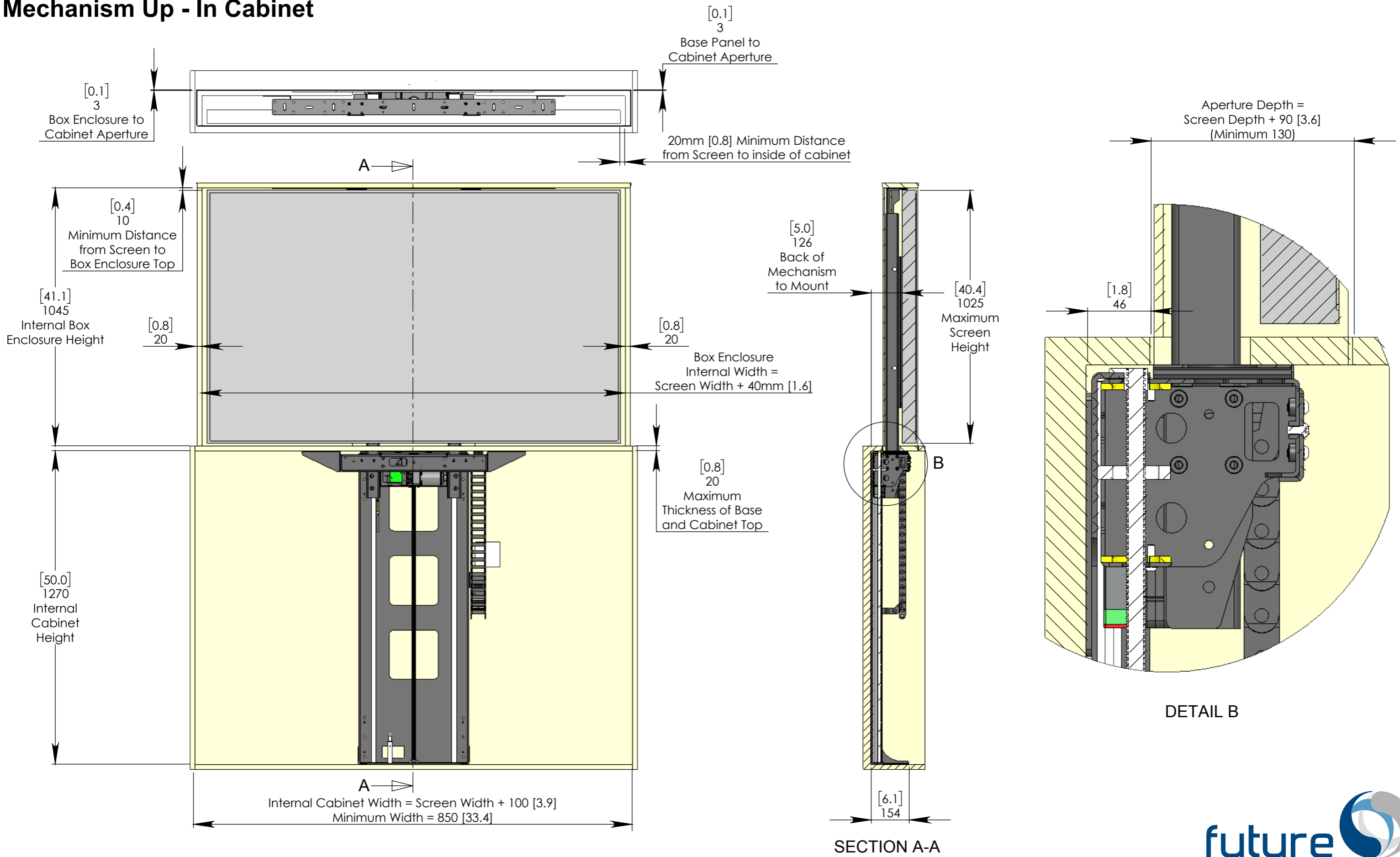
- SCREEN CABLE
- MECHANISM CABLE
- POWER CABLE



DETAIL A

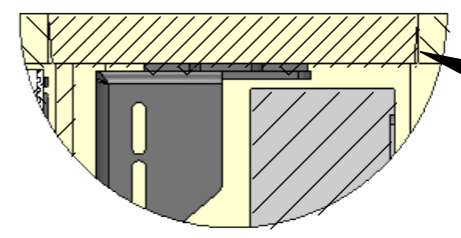
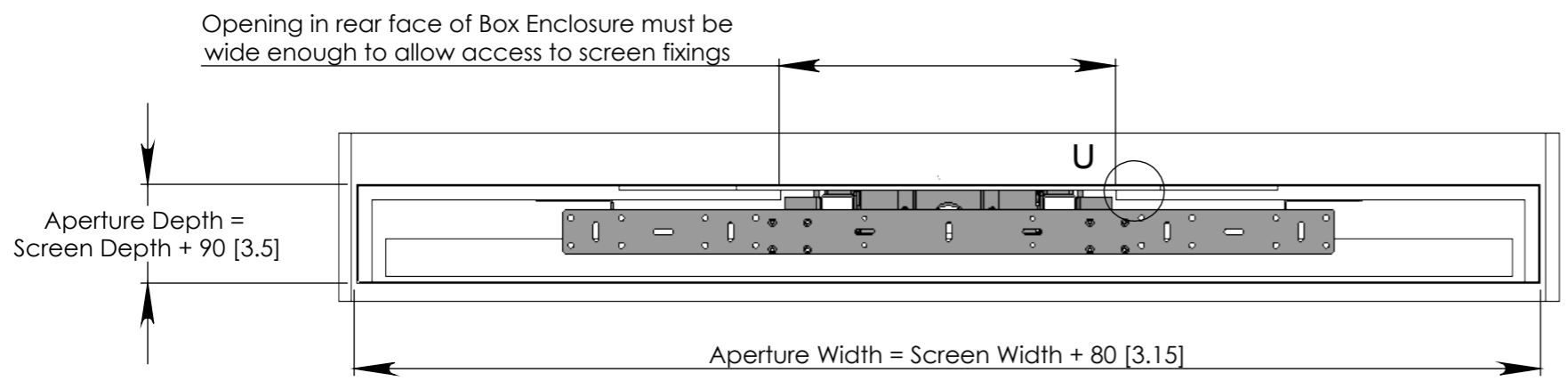


Mechanism Up - In Cabinet



IMPORTANT: Thicker cabinet tops will require a reduced maximum screen height

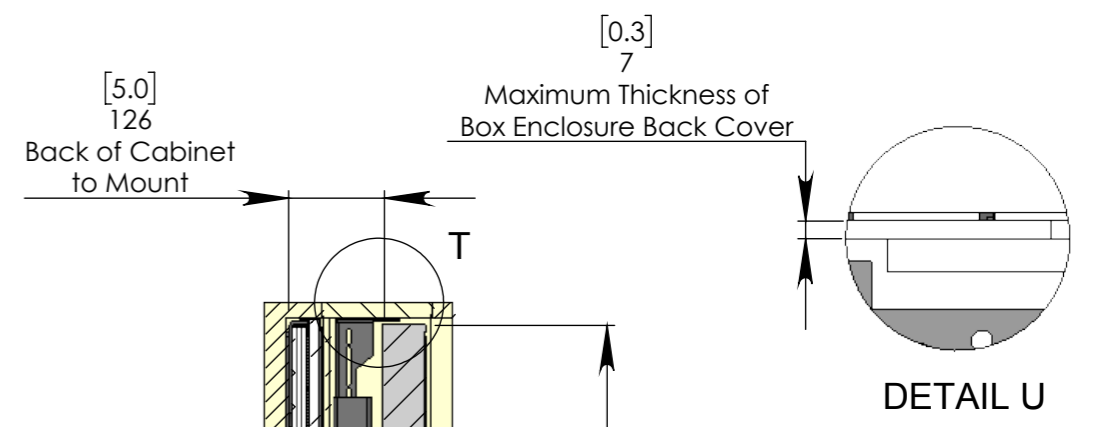
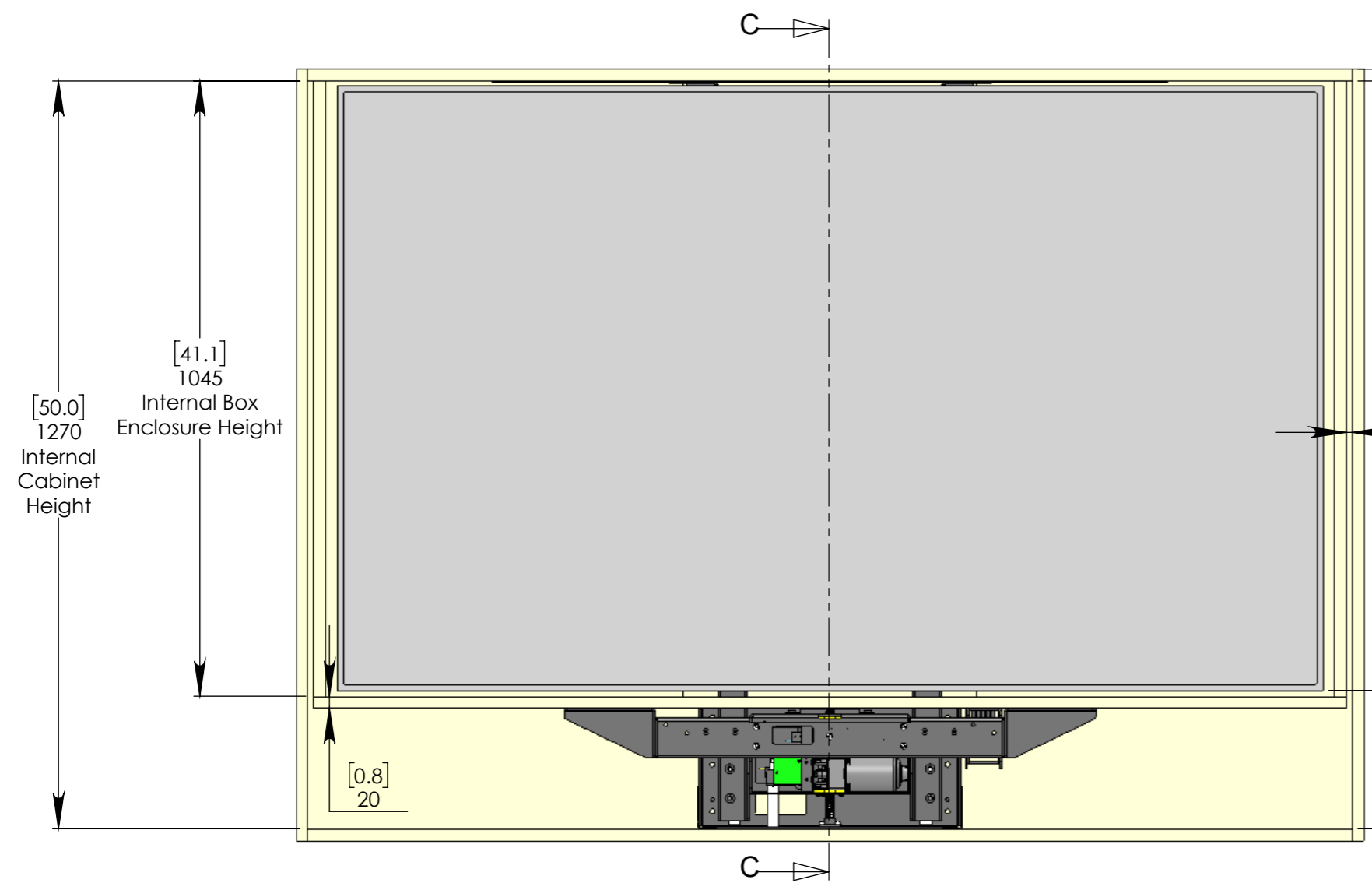
Mechanism Down - In Cabinet



Shown with tapered Box Enclosure Lid in square Cabinet Aperture.

A tapered Cabinet Aperture can be used to improve the fit.

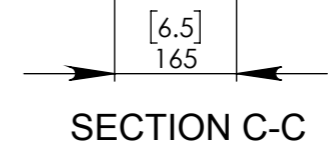
DETAIL T



[0.4] 10 Minimum Distance between Box Enclosure and Cabinet

[9.3] 235 Minimum Screen Height from Base of Cabinet

[40.4] 1025 Maximum Screen Height

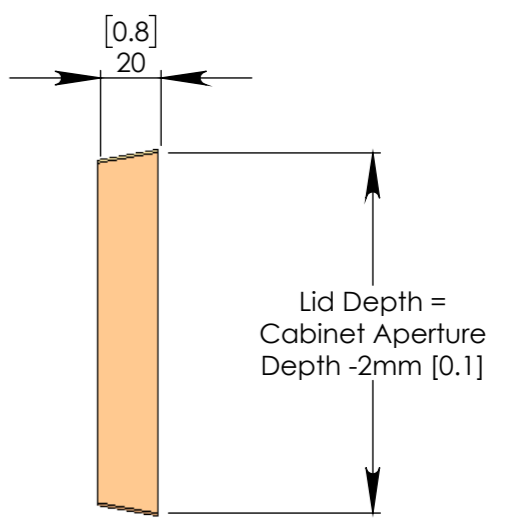
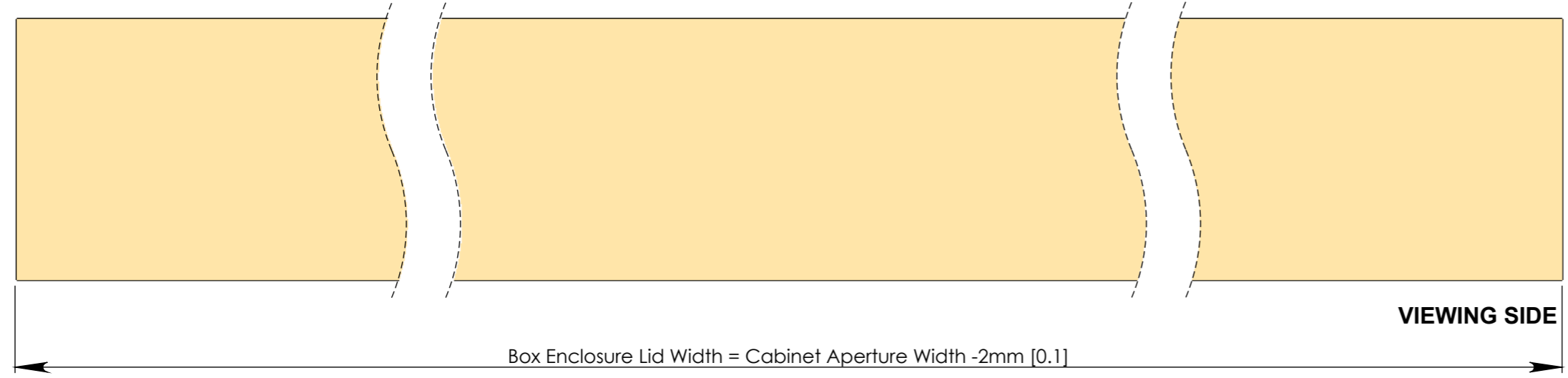


IMPORTANT: Thicker cabinet tops will require a reduced maximum screen height

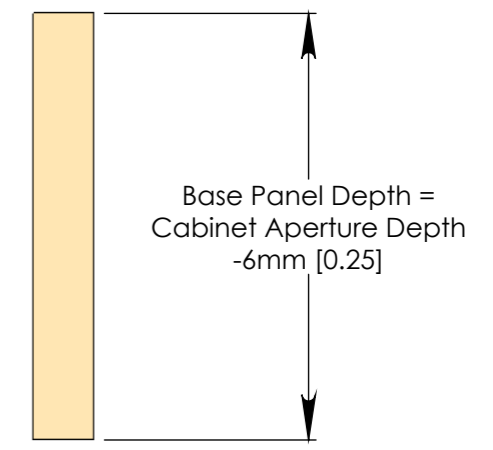
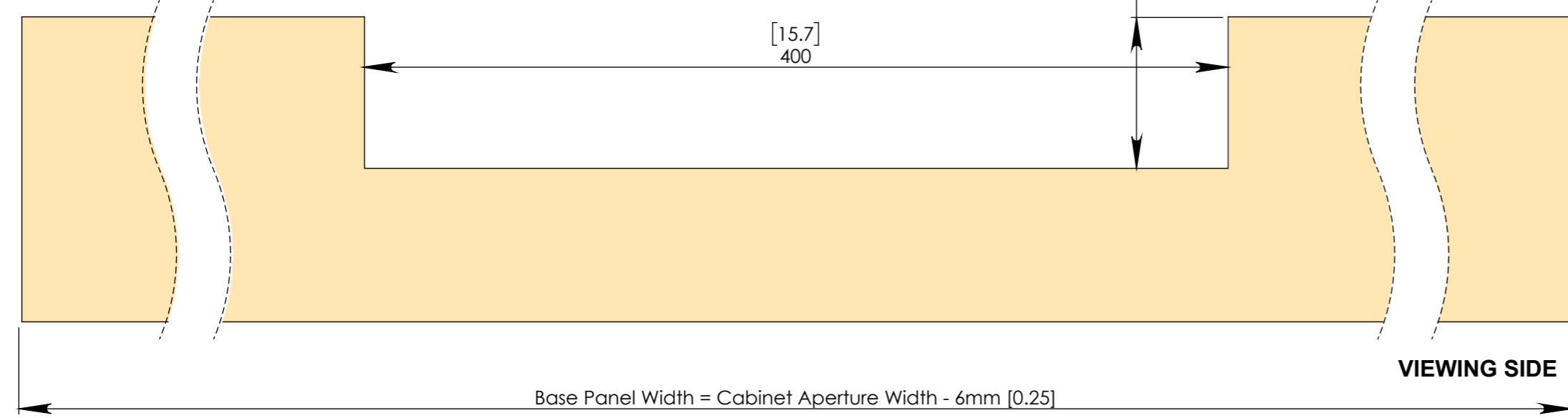
Base Panel and Box Enclosure Lid Details

NOTE: A tapered Box Enclosure Lid creates a good fit in the Cabinet Aperture and helps the Box Enclosure to locate within the cabinet.

BOX ENCLOSURE LID (TAPERED) - TOP VIEW

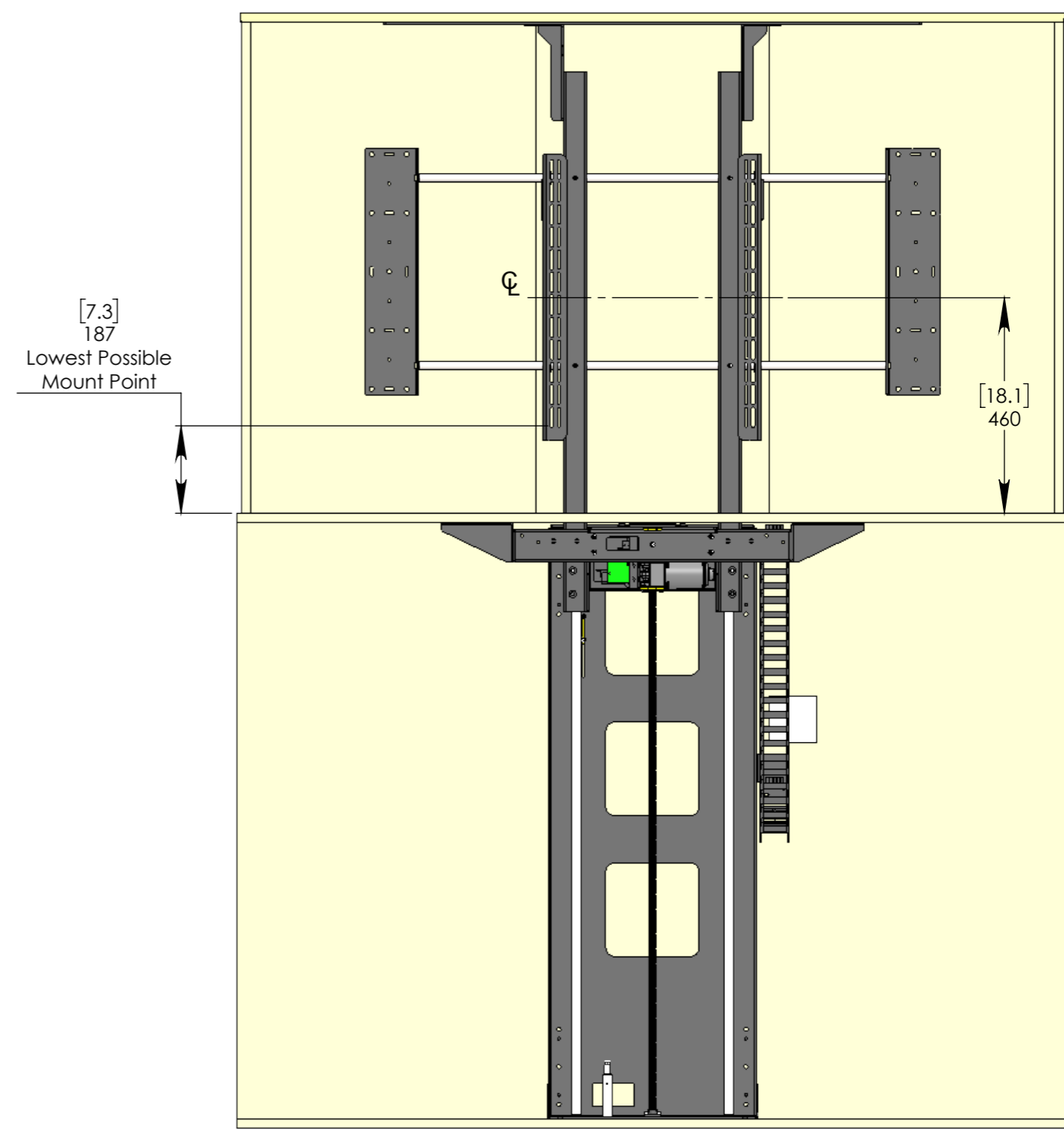
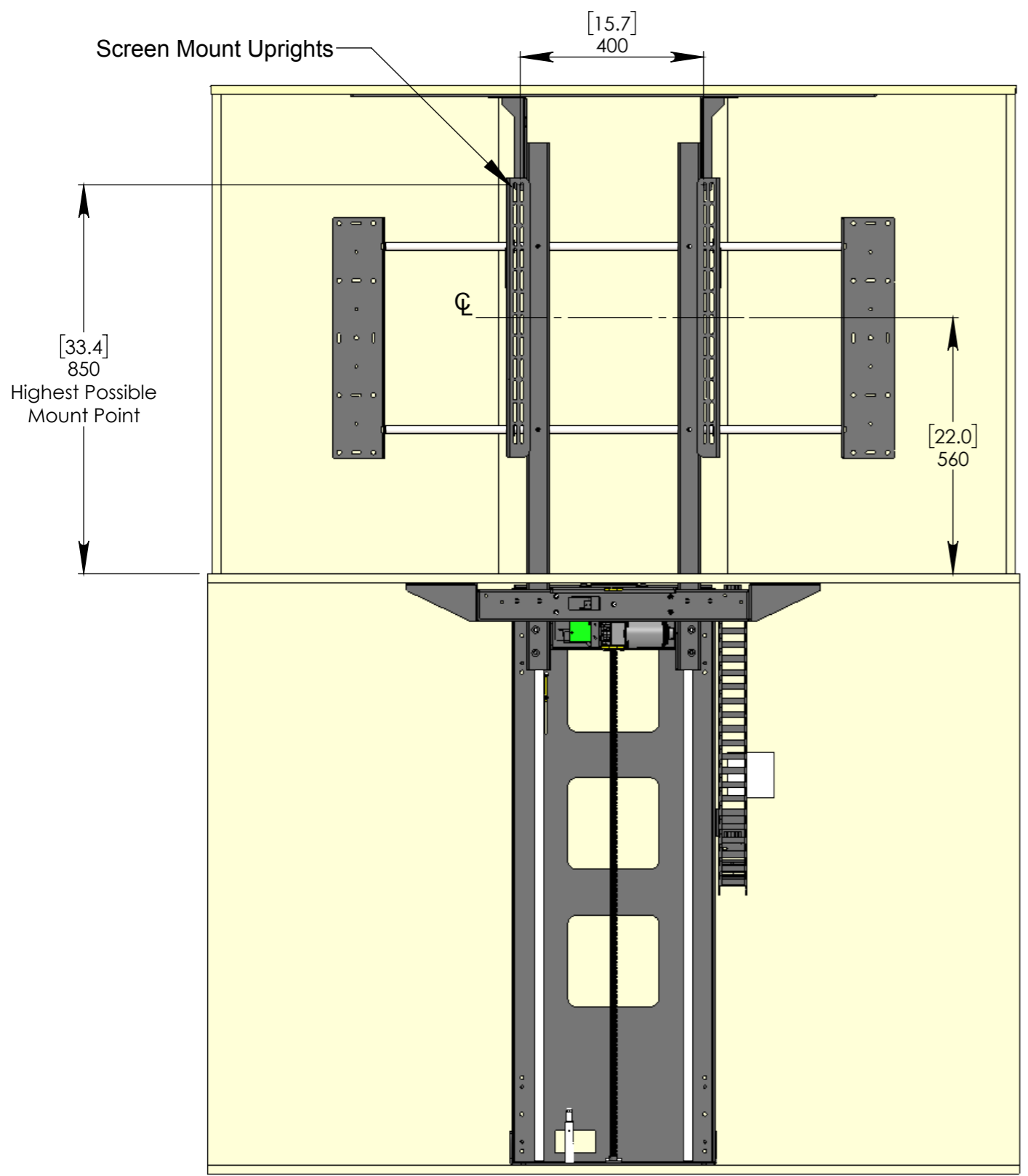


BOX ENCLOSURE BASE PANEL - TOP VIEW



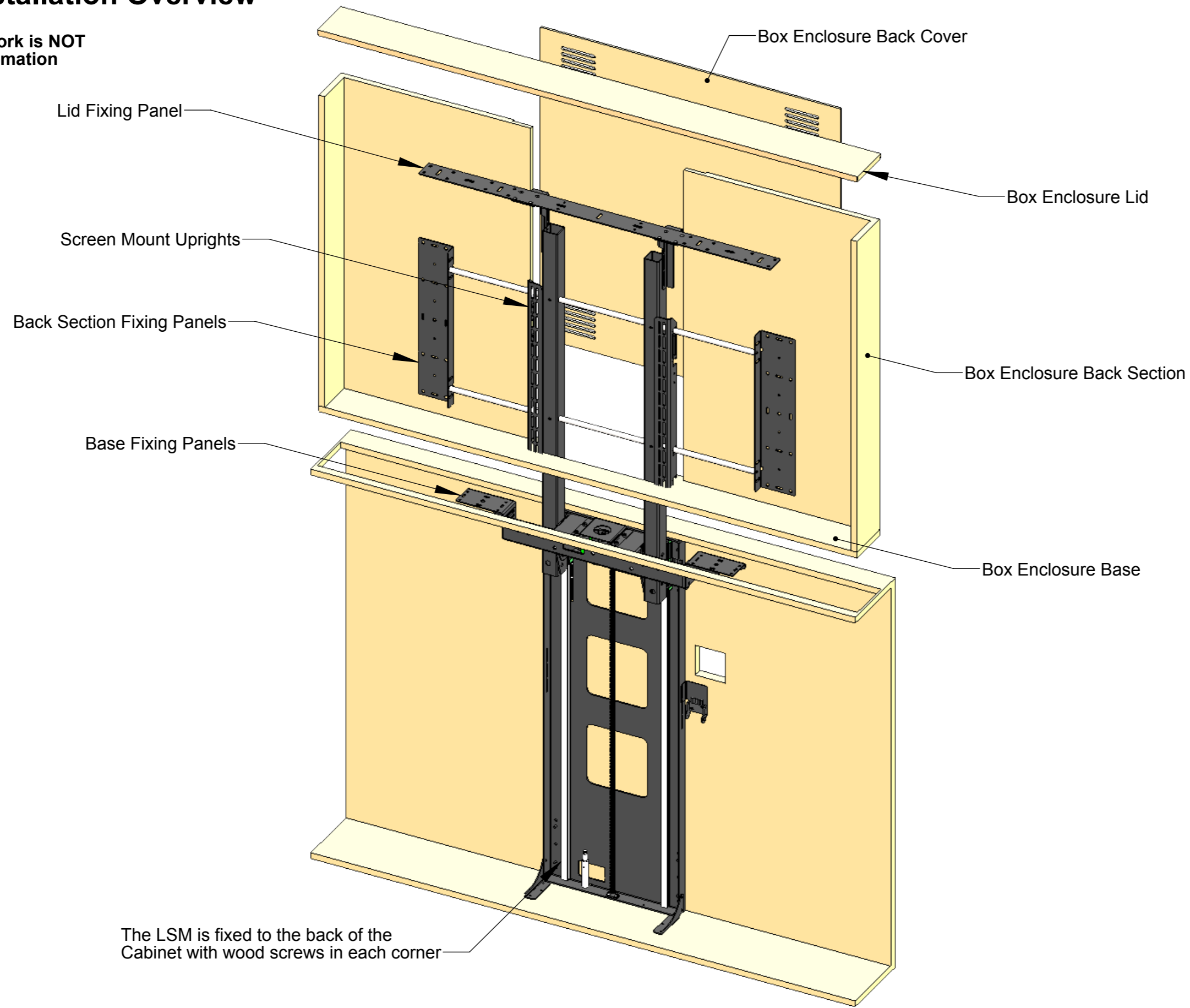
Screen Mount Adjustability

The adjustable Screen Uprights can cater for screen mounting patterns of between 400mm [15.7] and 800mm [31.5] wide.



Mechanism Installation Overview

IMPORTANT: Cabinet work is NOT supplied by Future Automation



The LSM is fixed to the back of the Cabinet with wood screws in each corner

Overall Mechanism Dimensions

